



FIRE INSPIRED™

OUTDOOR LIVING PRODUCT CATALOG

2024

Visit hpcfire.com for the most up-to-date product listings.

Install Confidence™

**CONTAINS 2025 PRICING
2025 CATALOG COMING SOON**



GREETINGS!

Welcome to our newest edition of the HPC Fire Inspired product Catalog. Our goal is to make your experience as easy and seamless as possible, answering any questions you have before they are asked. We believe that customer service is not just a department, but rather it is the heart and soul of the entire company. Every team member plays an active role servicing and breathing life into the orders. HPC creates innovative and safe designs suited for our customers' lifestyles. Our designs are built to last: HPC Fire Inspired weaves quality, safety and technology into every appliance.

We stand by our designs, ensuring that they will last the test of time.

We are excited to highlight the following new programs to support our mutually beneficial growth aspirations:

1. Over 400 CSA certified appliances guaranteed for top performance
2. Lifetime Warranty on burners and pans
3. HPC Fire One app with AR and 3D models
4. Dealer Portal
5. SST Torpedo Burner yielding the biggest CSA Certified flame on the Market
6. HPC Hybrid Forno de Pizza Oven
7. Universal Gas Orifice
8. Stainless Steel Drum Smoker
9. Custom outdoor Kitchen Islands

On behalf of all the team at HPC, I would like to thank you all for your continued support. Cheers to a successful and prosperous year of making memorable moments!



All the Best!

Sean Steimle, Chief Executive Officer

CONTACT



2225 Lyons Road
Miamisburg, OH 45342
Phone: 877.433.7001
Fax: 877.433.0704

Email: orders@hpcfire.com

www.hpcfire.com

Printed January 2024

WHAT DOES MAP MEAN?

Throughout our product offerings, you will see the acronym MAP. This stands for Minimum Advertised Price, and it's a policy that HPC Fire Inspired™ applies to nearly all our products. Quite simply, this MAP Policy prevents any trade partner from advertising our products at prices below those specified by HPC Fire Inspired™.

MAP
APPLIES

TERMS AND CONDITIONS

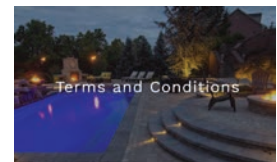
Revision and Modifications of the Agreement

HPC Fire Inspired™ may, by its sole discretion, modify or revise the terms of use and policies at any time as it may deem necessary. By agreeing to the terms of use herein you are bound by any such modifications or changes. It should be noted that nothing specified on these terms of use shall be used to confer any third-party rights and benefits.

Intellectual Property Rights

It is assumed that by using HPC Fire Inspired™ you agree that all content such as photos, text, graphics are copyrights with the copyrights being owned exclusively by HPC Fire Inspired™. You are however allowed to print hard copies of the content for the sole purpose of placing an order.

For the updated Terms and Conditions please go to hpcfire.com/terms-and-conditions



WARRANTY POLICY

| Components | Application | |
|---|-------------|------------|
| Outdoor Fire Components | Residential | Commercial |
| Fire Pit Stainless Steel Burners | Lifetime | Lifetime |
| Outdoor Fireplace Burner & Pan | Lifetime | Lifetime |
| Electronic Components and Gas Valves | 3 years | 1 year |
| Pilot Assembly | 2 years | 1 year |
| Stainless Steel Components | 5 year | 1 year |
| Cold Rolled Steel Components | 1 year | 6 months |
| Flex Lines | 5 years | 1 year |
| Regulators | 3 years | 1 year |
| Outdoor Logs | 3 years | 3 years |
| Unfinished Fire Pit Enclosure | 3 years | 3 years |
| Copper Bowl Series (Normal Weathering Expected) | 1 year | 1 year |
| Aluminum Fire Pit Covers | 3 years | 3 years |
| Vinyl Fire Pit Covers | 3 years | 3 years |
| Aluminum Bowl | 1 year | 1 year |
| Sport Pit | 1 year | 1 year |
| Forno de Pizza Ovens | 2 years | 2 years |
| Evolution360™ & H2Onfire Series | | |
| Polyethylene Basin and Liner | 3 years | 3 year |
| Water Pump | 2 years | 1 year |
| Float and Sensor | 2 years | 1 year |
| Hose and Fittings | 2 years | 2 years |
| Electronics and LEDs | 2 years | 1 year |



TABLE OF CONTENTS

INTRO

| | |
|------------------------------|---|
| Greetings | 2 |
| Table of Contents | 3 |
| New Products | 4 |
| Dealer Incentive | 5 |
| Weatherproofing | 6 |
| Training and Education | 7 |
| Custom Fire Features | 8 |

CERTIFIED FIRE PIT INSERTS 10

| | |
|---------------------------------|----|
| Round Bowl Inserts | 10 |
| Round Flat Inserts | 14 |
| Square Bowl Inserts | 18 |
| Square Flat Inserts | 22 |
| H-Burner Inserts | 26 |
| Linear Trough Inserts | 30 |
| Interlink Inserts | 34 |
| Outdoor Fireplace Inserts | 38 |

COMPLETE FIRE FEATURES 40

| | |
|----------------------------------|----|
| Aluminum Bowls | 40 |
| Copper Bowls | 42 |
| Evolution360 & H2Onfire | 46 |
| TK Torch | 48 |
| Sport Pit | 50 |
| Uncertified Match Lit Kits | 52 |
| Copper Sierra | 50 |
| Copper Phoenix | 51 |
| Evolution 360 | 52 |
| H2Onfire | 53 |

FIRE PIT KITS & DIY UNITS 52

| | |
|----------------------------------|----|
| Uncertified Match Lit Kits | 52 |
| Ready-To-Finish Kits | 54 |
| Other Kits | 58 |

FIRE PIT ACCESSORIES 60

| | |
|-----------------------|----|
| Fire Pit Media | 60 |
| Wind Guards | 62 |
| Fire Pit Covers | 64 |

COMPONENTS 66

OUTDOOR LIVING & DINING 76

| | |
|------------------------------|----|
| Custom Kitchen Islands | 76 |
| Forno de Pizza | 80 |
| Drum Smoker | 86 |

NEW PRODUCTS

UGO - The Universal Gas Orifice

Our new Universal Gas Orifice will change the way you do gas forever. Bridging the efficiency gap between natural gas and liquid propane orifice changes, the UGO is among the most exciting examples of HPC's innovative spirit. With it, we were able to cut the time it takes to switch gas types on a fire pit insert from 12 minutes to 19 seconds.

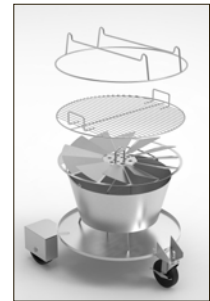
The UGO's value doesn't stop at orifice swap times. It prevents stocking problems before they occur and offers pivotal time savings in the office and in the field. All fire pit inserts will ship equipped with UGO in 2024. Look for the "Equipped with UGO" sticker in the catalog or on your product box!



Stainless Steel Drum Smoker

We are excited to introduce our newest addition to HPC's Outdoor Dining product line: the Drum Smoker! Featuring patented Vortex technology, this tall smoker allows for incredible cooking in large quantities. It utilizes a dual-vane intake system that distributes air throughout the hull of the cooker and exhausts out the top. Its height allows the user to prepare two different meals on separate racks.

Check out the drum smoker in action online: hpcfire.com/drum-smoker



Custom Outdoor Kitchen Islands

In 2023, HPC Fire Inspired acquired Galaxy Outdoor, a Las Vegas, NV-based outdoor kitchen island manufacturer. Now, we are proud to offer an expanded line of outdoor living features with which to enhance your lifestyle and outdoor living space. We are able to create any island to specification and offer consultation / design services. Let our team of experts guide you through the process!

With our new West Coast presence, HPC can offer consumers faster shipping! We are excited to offer approximately 1 day transit shipments to AZ, CA, CO, NV, and UT, and 2 day transit to the remaining states in the West Coast territory. Contact your HPC Sales Specialist for more info!



DEALER INCENTIVE PROGRAM

YEAR-LONG PRICING STRUCTURE

When your yearly sales orders meet one of our incentive levels your price structure is locked in for a full calendar year. For more information go to hpcfire.com/dealer.

ONLINE ORDER FULFILLMENT:

HPC offers a searchable online ordering site through the HPC Dealer Portal Store.hpcfire.com or at HPCfire.com.



SST TORPEDO™ BURNERS

The commercial-grade SST Torpedo™ burner, available in Penta, Linear and H configurations, is our newly designed nozzle which creates the largest flame on the market. The SST Torpedo Burners yield an enhanced bonfire like aesthetic. This is a great addition to our product offerings, providing customers with an array of flame options.



STANDARD BURNER (WITHOUT NOZZLES)



SST TORPEDO BURNER (WITH NOZZLES)



**THE SST TORPEDO™ IS THE LARGEST
CSA CERTIFIED FLAME ON THE MARKET.**

INDUSTRY-LEADING WEATHERPROOFING

HOW WE ACCOMMODATE MOTHER NATURE

Gas fire features face many environmental challenges when placed outdoors, rain and snow not least among them. HPC designs its products to ensure our fire pits function effectively and safely in the field amidst any weather conditions. For example:

- All of our burners effectively prevent rainwater buildup. Their raised, central hubs paired with strategically placed weep holes, allow any excess water to escape.
- HPC's Electronic Ignition models all include a "drip leg" that diverts any water away from the electronics.
- In the face of wind, HPC's Electronic Ignition and Push Button/Flame Sensing models are all equipped with a thermocouple sensor that will shut off the gas supply if the flame is extinguished. In addition, HPC's metal "blow-out-box" acts as an added layer of protection, shielding the pilot flame from the elements.
- Dielectric grease is applied to electrical connections to keep water away from spade connectors.
- HPC offers wind guards to help prevent the wind from blowing out your flame.

- To enhance the longevity of HPC designs, we offer a variety of covers to be utilized when appliances are not in use.
- We utilize outdoor-approved Solenoid valves to prevent moisture infiltration.



TRAINING & EDUCATION

We believe that knowledge is power. The quality of education that we provide you about our products directly affects your business as well as our own. That's why we've chosen to prioritize our training and education programs: so that you can be equipped to give top-notch service to your customers. Since 2022, we have been working hard to provide opportunities to expand your HPC product knowledge. Read here about HPC University, our Innovation and Education Center, and how you can get involved with both!

HPC University

Our team has been working hard to build HPC University, a web platform that facilitates a quality education through study materials and quizzes. We've used it internally to educate our employees, and now it's available to our customers.

Right now, there are 14 courses available with videos, powerpoints, notes, and quizzes. Once you've gotten a grasp on the material, you can take the quiz and earn certification for that course.

We are always looking to add more content that would be useful to our customers. If you have a topic of interest, please contact us and let us know! Or, if there's something you want to learn about more in-depth personally, you can train with our Training and Education Manager, Chuck Parsons.

Innovation and Education Center

In early 2023, we opened our Innovation and Education Center, a secondary building designated to improving our products, processes, and our customer's education. The front-of-house includes a showroom and training area where our Training and Education Manager, Chuck Parsons, holds in-person, personalized classes for any dealers / distributors interested.

Training sessions are entirely free-- you need only cover the cost of travel. We are happy to assist in making accommodations for your stay. These classes are the perfect chance to get one on one time with the most skilled technicians at HPC and ask the questions that you have about our products.

If you're interested in training with us, you can contact us at information@hpcfire.com or go online to hpcfire.com/training-booking-calendar and schedule an appointment today. We will contact you with verification or rescheduling if needed!

Looking for more?

Sometimes you need an answer on the fly. If you're in the field and need assistance troubleshooting, call our office at (937) 436-9800 M-F, 8am to 5pm EST and ask for tech support.

You can read about our products online at hpcfire.com/blog where we post weekly Tech Talks, discussing everything from sales to styling to the manufacturing process.

Furthermore, you can find some of our most-asked tech support questions on our YouTube channel at youtube.com/hpcfire.

Please feel free to forward all other inquiries or comments onto information@hpcfire.com.



Chuck Parsons, Training and Education Manager



CUSTOM FIRE PITS

Engineered-to-Order with CSA Certification

HPC is proud to offer custom fire pits, made to perfectly complement your environment. Whether you're looking for an atypical size of a stock fire pit, or something more complex like an outline of your home state, a sports team logo, etc, we would love to work with you. Collaborate with our team of experts to help bring your unique vision to life.

Getting Started

Outlining the details of your project is the first step to creating a one-of-a-kind fire feature. Consider the following:

- Installation location
- Application
- Enclosure type
- Ventilation and drainage
- Gas type
- Pan style and shape
- Burner style and shape
- Size

Having this essential information at the beginning will help our experts create the fire design of your dreams. With safety and innovation in mind, we will work with you to create something revolutionary.

CSA Certification

For engineered-to-order designs to be CSA certified, they must not exceed a certain range of BTUs:

Match Lit: 65k BTUs
Push Button: 250k BTUs
EI: 400k BTUs

Anything above these BTU ranges can be built, but will not be CSA certified, as they are classified as high pressure units.

Most Popular Designs

Our most popular custom designs include linear and rectangular fire pits, arched pans, and fire pits that include right angles. They are used to enhance pools, outdoor bars and kitchens, and more. You can find HPC custom designs all over America-- see our custom fire features at Commercial Park and Citizen's Bank Park in Philadelphia!



CUSTOM CONFIGURATION

Fire Pit Form

Online, you can find a revamped version of our custom order form-- it will visually guide you through the ordering process for less complex projects or permits file uploads for more complex custom jobs involving schematics or blueprints. Each submission will be reviewed by our tech department, designed, and quoted.

Configurator

We are excited to announce that we have a custom configurator in progress. When completed, this configurator will allow its user to build and review a custom project in 3D in realtime using simple data entry fields. Watch out for an email noting its release!

hpcfired.com/custom



ROUND BOWL

CERTIFIED FIRE PIT INSERTS

Our CSA-certified fire pit inserts are made of durable stainless steel and designed to be the most efficient, safe, and impressive flame on the market.

Installation Considerations

- Minimum of 2" clearance between bottom of insert and ground is required
- 48" clearance to combustibles
- Minimum two sides ventilated
- Minimum 50% free air space within enclosure
- 24VAC models require HPC/SEBCO 24VAC, 100W power supply for inserts ONLY



BENEFITS

- Bowl design includes 1.3" lip to rest over paving stones / enclosure. Depth to pan allows for better media retention
- Fully assembled, commercial grade, CSA-certified fire pit insert

FEATURES

- Raised hub for water mitigation
- Welded gas fitting for strength
- Weep holes for drainage
- Lifetime warranty on burners

SPECIFICATIONS

- Made of #304, 18 gauge stainless steel
- Standard flex line is 36" (when applicable)
- * EI On/Off remote control sold separately

Need LP or 24-Volt Models?

Change "NG" to "LP" in SKU for liquid propane applications
Change "120VAC" to "24VAC" in SKU for 24-V applications

HI/LO Series (Smart App Controlled) - Electronic Ignition

| Insert Size*** | Burner Sz. | SKU - STANDARD BURNER | BTU | MSRP |
|-----------------|------------|---------------------------|------|-----------|
| ø 13" x 10-1/4" | 12" Round | 13SSEI-HI/LO-NG/120VAC | 90k | \$3622.27 |
| ø 19" x 10-1/4" | 12" | PENTA19EI-HI/LO-NG/120VAC | 65k | \$3711.89 |
| ø 25" x 12-1/4" | 18" | PENTA25EI-HI/LO-NG/120VAC | 125k | \$3934.61 |
| ø 31" x 12-1/4" | 24" | PENTA31EI-HI/LO-NG/120VAC | 200k | \$4252.29 |
| ø 37" x 13-1/4" | 30" | PENTA37EI-HI/LO-NG/120VAC | 250k | \$5072.37 |
| ø 43" x 14-1/4" | 36" | PENTA43EI-HI/LO-NG/120VAC | 400k | \$5370.81 |

| SKU - TORPEDO BURNER | BTU | MSRP |
|-------------------------------|------|-----------|
| - | - | - |
| TOR-PENTA19EI-HI/LO-NG/120VAC | 90k | \$4083.1 |
| TOR-PENTA25EI-HI/LO-NG/120VAC | 140k | \$4328.07 |
| TOR-PENTA31EI-HI/LO-NG/120VAC | 225k | \$4677.52 |
| TOR-PENTA37EI-HI/LO-NG/120VAC | 275k | \$5579.59 |
| TOR-PENTA43EI-HI/LO-NG/120VAC | 375k | <TOR-PEN- |

| Rock | Glass |
|--------|--------|
| 1 bag | 20lbs |
| 2 bags | 40lbs |
| 2 bags | 60lbs |
| 2 bags | 80lbs |
| 4 bags | 120lbs |
| 4 bags | 160lbs |

ON/OFF Series - Electronic Ignition

| Insert Size*** | Burner Sz. | SKU - STANDARD BURNER | BTU | MSRP |
|-----------------|------------|-----------------------|------|-----------|
| ø 13" x 10-1/4" | 12" Round | 13SSEI-NG/120VAC | 90k | \$3070.22 |
| ø 19" x 10-1/4" | 12" | PENTA19EI-NG/120VAC | 65k | \$3155.49 |
| ø 25" x 12-1/4" | 18" | PENTA25EI-NG/120VAC | 125k | \$3376.69 |
| ø 31" x 12-1/4" | 24" | PENTA31EI-NG/120VAC | 200k | \$3685.8 |
| ø 37" x 13-1/4" | 30" | PENTA37EI-NG/120VAC | 250k | \$4493.38 |
| ø 43" x 14-1/4" | 36" | PENTA43EI-NG/120VAC | 400k | \$4847.82 |

| SKU - TORPEDO BURNER | BTU | MSRP |
|-------------------------|------|-----------|
| - | - | - |
| TOR-PENTA19EI-NG/120VAC | 90k | \$3471.03 |
| TOR-PENTA25EI-NG/120VAC | 140k | \$3714.34 |
| TOR-PENTA31EI-NG/120VAC | 225k | \$4054.39 |
| TOR-PENTA37EI-NG/120VAC | 275k | \$4942.71 |
| TOR-PENTA43EI-NG/120VAC | 375k | \$5332.6 |

| Rock | Glass |
|--------|--------|
| 1 bag | 20lbs |
| 2 bags | 40lbs |
| 2 bags | 60lbs |
| 2 bags | 80lbs |
| 4 bags | 120lbs |
| 4 bags | 160lbs |

FPPK Series - Push-Button Ignition

| Insert Size* | Burner Sz. | SKU - STANDARD BURNER | BTU | MSRP |
|----------------|------------|-----------------------|------|-----------|
| ø 13" x 6-1/2" | 12" Round | FPPK13-FLEX-NG | 90k | \$1344.1 |
| ø 19" x 6-1/2" | 12" | PENTA19FPPK-FLEX-NG | 65k | \$1664.52 |
| ø 25" x 6-1/2" | 18" | PENTA25FPPK-FLEX-NG | 90k | \$1865.44 |
| ø 31" x 6-1/2" | 24" | PENTA31FPPK-FLEX-NG | 200k | \$2071.86 |
| ø 37" x 6-1/2" | 30" | PENTA37FPPK-FLEX-NG | 250k | \$2460.12 |

| SKU - TORPEDO BURNER | BTU | MSRP |
|-------------------------|------|-----------|
| - | - | - |
| TOR-PENTA19FPPK-FLEX-NG | 65k | \$1997.43 |
| TOR-PENTA25FPPK-FLEX-NG | 90k | \$2238.53 |
| TOR-PENTA31FPPK-FLEX-NG | 200k | \$2486.23 |
| TOR-PENTA37FPPK-FLEX-NG | 250k | \$2952.14 |

| Rock | Glass |
|--------|--------|
| 1 bag | 20lbs |
| 2 bags | 40lbs |
| 2 bags | 60lbs |
| 2 bags | 80lbs |
| 4 bags | 120lbs |

FPPK Series - Push-Button Ignition - Small Tank

| Insert Size* | Burner Sz. | SKU - STANDARD BURNER | BTU | MSRP |
|----------------|------------|------------------------|-----|-----------|
| ø 13" x 6-1/2" | 12" Round | FPPK13-FLEX-LP-ST | 90k | \$1466.29 |
| ø 19" x 6-1/2" | 12" | PENTA19FPPK-FLEX-LP-ST | 65k | \$1786.67 |
| ø 25" x 6-1/2" | 18" | PENTA25FPPK-FLEX-LP-ST | 90k | \$1987.63 |

| SKU - TORPEDO BURNER | BTU | MSRP |
|----------------------------|-----|-----------|
| - | - | - |
| TOR-PENTA19FPPK-FLEX-LP-ST | 65k | \$2144 |
| TOR-PENTA25FPPK-FLEX-LP-ST | 90k | \$2385.18 |

| Rock | Glass |
|--------|-------|
| 1 bag | 20lbs |
| 2 bags | 40lbs |
| 2 bags | 60lbs |

MLFPPK Series - Match-Lit Ignition

| Insert Size* | Burner Sz. | SKU - STANDARD BURNER | BTU | MSRP |
|----------------|------------|------------------------|-----|-----------|
| ø 13" x 6-1/2" | 12" | PENTA13 MLFPPK-FLEX-NG | 65k | \$716.83 |
| ø 19" x 6-1/2" | 12" | PENTA19 MLFPPK-FLEX-NG | 65k | \$806.47 |
| ø 25" x 6-1/2" | 18" | PENTA25 MLFPPK-FLEX-NG | 65k | \$988.38 |
| ø 31" x 6-1/2" | 28" | PENTA31 MLFPPK-FLEX-NG | 65k | \$1067.11 |

| SKU - TORPEDO BURNER | BTU | MSRP |
|----------------------------|-----|-----------|
| TOR-PENTA13 MLFPPK-FLEX-NG | 65k | \$860.18 |
| TOR-PENTA19 MLFPPK-FLEX-NG | 65k | \$967.76 |
| TOR-PENTA25 MLFPPK-FLEX-NG | 65k | \$1186.08 |
| TOR-PENTA31 MLFPPK-FLEX-NG | 65k | \$1280.53 |

| Rock | Glass |
|--------|-------|
| 1 bag | 20lbs |
| 2 bags | 40lbs |
| 2 bags | 60lbs |
| 2 bags | 80lbs |

MLFPPK Series - Match-Lit Ignition - Small Tank

| Insert Size* | Burner Sz. | SKU - STANDARD BURNER | BTU | MSRP |
|----------------|------------|---------------------------|-----|-----------|
| ø 13" x 6-1/2" | 12" | PENTA13 MLFPPK-FLEX-LP-ST | 65k | \$866.19 |
| ø 19" x 6-1/2" | 18" | PENTA19 MLFPPK-FLEX-LP-ST | 65k | \$963.92 |
| ø 25" x 6-1/2" | 18" | PENTA25 MLFPPK-FLEX-LP-ST | 65k | \$1140.44 |
| ø 31" x 6-1/2" | 28" | PENTA31 MLFPPK-FLEX-LP-ST | 65k | \$1216.45 |

| SKU - TORPEDO BURNER | BTU | MSRP |
|-------------------------------|-----|-----------|
| TOR-PENTA13 MLFPPK-FLEX-LP-ST | 65k | \$1039.42 |
| TOR-PENTA19 MLFPPK-FLEX-LP-ST | 65k | \$1156.7 |
| TOR-PENTA25 MLFPPK-FLEX-LP-ST | 65k | \$1368.52 |
| TOR-PENTA31 MLFPPK-FLEX-LP-ST | 65k | \$1459.75 |

| Rock | Glass |
|--------|-------|
| 1 bag | 20lbs |
| 2 bags | 40lbs |
| 2 bags | 60lbs |
| 2 bags | 80lbs |

*Insert Size: Insert height includes 2-1/2" pan depth.

**EI Models: Listed height is for standard burner models only. All Torpedo EI fire pits are 9-1/2" tall including pan.



EI HI/LO Smart App Controlled



EI ON/OFF



Push Button Ignition



Match Lit Ignition



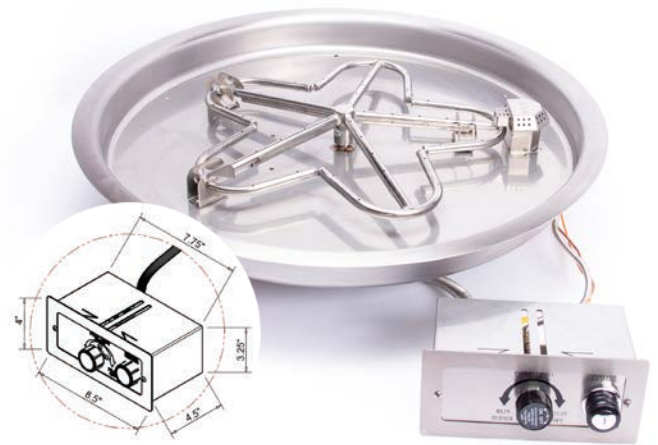


ELECTRONIC IGNITION



These fire pits are available as ON/OFF or HI/LO. The former is a simple remote-activated on or off switch, whereas the HI/LO can be controlled via Bluetooth and allows for adjustable flame height. Can also be set on install with trimmer valve.

PUSH BUTTON IGNITION



Push button fire pits are controlled using a simple knob and button on a stainless steel valve box and features a flame-sensing system to turn off gas if flame is lost.

MATCH LIT IGNITION



Match lit fire pits are ignited simply by turning the key valve and lighting the gas with a lighter.

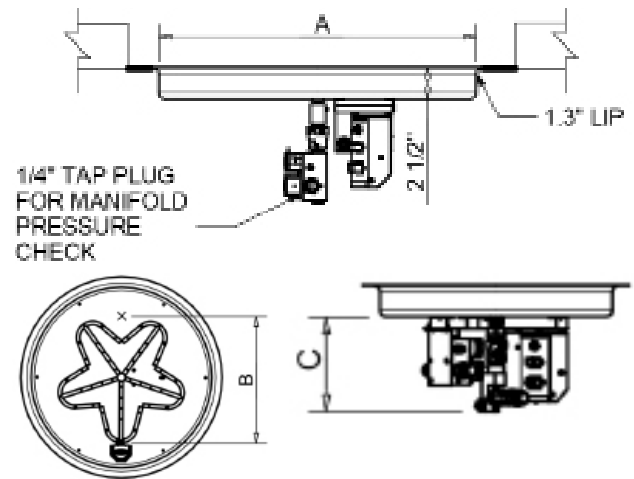
ROUND BOWL (cont.)

Electronic Ignition - Specifications

| PENTA BURNER | | | | | | | |
|----------------|-------|---------|-----------------|----|---------------|---------|--|
| PART NUMBER* | BTU | | DIMENSION CHART | | | | |
| | PENTA | TORPEDO | A* | B* | C* (+/- 1/2") | | |
| | | | | | PENTA | TORPEDO | |
| TOR- PENTA19EI | 65K | 90k | 19 | 12 | 7-3/4 | 7-3/4 | |
| TOR- PENTA25EI | 125K | 140k | 25 | 18 | 9-3/4 | 7-3/4 | |
| TOR- PENTA31EI | 200K | 225k | 31 | 24 | 9-3/4 | 7-3/4 | |
| TOR- PENTA37EI | 250K | 275k | 37 | 30 | 10-3/4 | 7-3/4 | |
| TOR- PENTA43EI | 400K | 375K | 43 | 36 | 11-3/4 | 7-3/4 | |

*FOR TORPEDO BURNERS ADD TOR-

| ROUND BURNER | | | | |
|--------------|--------------|-----------------|----|---------------|
| PART NUMBER | STANDARD BTU | DIMENSION CHART | | |
| | | A* | B* | C* (+/- 1/2") |
| 1355EI | 90K | 13 | 12 | 7-3/4 |

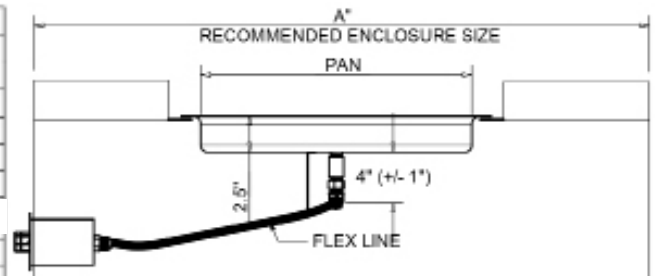


Push Button Ignition - Specifications

| PART NUMBERS | | DIMENSION CHART | | | | |
|--------------|-------------------|-----------------|--------------|---------|-----|-----------------------|
| PENTA BURNER | | PAN | STANDARD BTU | | A* | STND FLEX LINE LENGTH |
| TOR- | PENTA | | PENTA | TORPEDO | | |
| TOR- | PENTA19-FPPK-FLEX | 19" | 65K | 90K | 45" | 36" |
| TOR- | PENTA25-FPPK-FLEX | 25" | 125K | 140K | 54" | 36" |
| TOR- | PENTA31-FPPK-FLEX | 31" | 200K | 185K | 54" | 36" |
| TOR- | PENTA37-FPPK-FLEX | 37" | 250K | 185K | 54" | 36" |

| PART NUMBER | | DIMENSION CHART | | | |
|--------------|--|-----------------|--------------|----|-----------------------|
| ROUND BURNER | | PAN | STANDARD BTU | A* | STND FLEX LINE LENGTH |
| FPPK13-FLEX | | | | | |

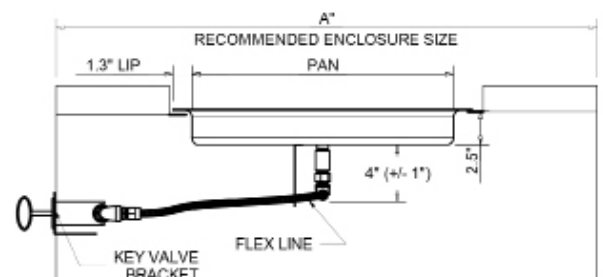
*FOR TORPEDO BURNERS ADD TOR-



Match Lit Ignition - Specifications

| PART NUMBER | | DIMENSION CHART | | | | |
|--------------|--------------------|-----------------|--------------|---------|-----|-----------------------|
| PENTA BURNER | | PAN | STANDARD BTU | | A* | STND FLEX LINE LENGTH |
| TOR- | PENTA | | PENTA | TORPEDO | | |
| TOR- | PENTA13MLFPPK-FLEX | 13" | 65K | 65K | 45" | 36" |
| TOR- | PENTA19MLFPPK-FLEX | 19" | 65K | 65K | 45" | 36" |
| TOR- | PENTA25MLFPPK-FLEX | 25" | 65K | 65K | 54" | 36" |
| TOR- | PENTA31MLFPPK-FLEX | 31" | 65K | 65K | 54" | 36" |

*FOR TORPEDO BURNERS ADD TOR-



ROUND FLAT

CERTIFIED FIRE PIT INSERTS

Our CSA-certified fire pit inserts are made of durable stainless steel and designed to be the most efficient, safe, and impressive flame on the market.

Installation Considerations

- Minimum of 2" clearance between bottom of insert and ground is required
- 48" clearance to combustibles
- Minimum two sides ventilated
- Minimum 50% free air space within enclosure
- 24VAC models require HPC/SEBCO 24VAC, 100W power supply for inserts ONLY



BENEFITS

- Economical, flat design. Meant for a recess mount within an enclosure
- Fully assembled, commercial grade, CSA-certified fire pit insert

FEATURES

- Raised hub for water mitigation
- Welded gas fitting for strength
- Weep holes for drainage
- Lifetime warranty on burners

SPECIFICATIONS

- Made of #304, 18 gauge stainless steel
- Standard flex line is 36" (when applicable)
- * EI On/Off remote control sold separately

Need LP or 24-Volt Models?

Change "NG" to "LP" in SKU for liquid propane applications
Change "120VAC" to "24VAC" in SKU for 24-V applications

HI/LO Series (Smart App Controlled) - Electronic Ignition

| Insert Size** | Burner Sz. | SKU - STANDARD BURNER | BTU | MSRP | SKU - TORPEDO BURNER | BTU | MSRP | Rock | Glass |
|-----------------|------------|---------------------------|------|-----------|-------------------------------|------|-----------|--------|--------|
| ø 14" x 7-3/4" | 12" Round | 14FSSEI-HI/LO-NG/120VAC | 90k | \$3546.27 | - | - | - | 1 bag | 20lbs |
| ø 18" x 7-3/4" | 12" | PENTA18EI-HI/LO-NG/120VAC | 65k | \$3695.61 | TOR-PENTA18EI-HI/LO-NG/120VAC | 90k | \$4065.17 | 2 bags | 30lbs |
| ø 24" x 9-3/4" | 18" | PENTA24EI-HI/LO-NG/120VAC | 125k | \$3861.27 | TOR-PENTA24EI-HI/LO-NG/120VAC | 140k | \$4247.4 | 2 bags | 50lbs |
| ø 30" x 9-3/4" | 24" | PENTA30EI-HI/LO-NG/120VAC | 200k | \$4070.35 | TOR-PENTA30EI-HI/LO-NG/120VAC | 225k | \$4477.38 | 2 bags | 80lbs |
| ø 36" x 10-3/4" | 30" | PENTA36EI-HI/LO-NG/120VAC | 250k | \$4472.24 | TOR-PENTA36EI-HI/LO-NG/120VAC | 275k | \$4919.46 | 4 bags | 110lbs |
| ø 42" x 11-3/4" | 36" | PENTA42EI-HI/LO-NG/120VAC | 400k | <PEN- | TOR-PENTA42EI-HI/LO-NG/120VAC | 375k | <TOR-PEN- | 4 bags | 150lbs |

ON/OFF Series - Electronic Ignition

| Insert Size** | Burner Sz. | SKU - STANDARD BURNER | BTU | MSRP | SKU - TORPEDO BURNER | BTU | MSRP | Rock | Glass |
|-----------------|------------|-----------------------|------|-----------|-------------------------|------|-----------|--------|--------|
| ø 14" x 7-3/4" | 12" Round | 14FSSEI-NG/120VAC | 90k | \$2998.23 | - | - | - | 1 bag | 20lbs |
| ø 18" x 7-3/4" | 12" | PENTA18EI-NG/120VAC | 65k | \$3142.14 | TOR-PENTA18EI-NG/120VAC | 90k | \$3456.36 | 2 bags | 30lbs |
| ø 24" x 9-3/4" | 18" | PENTA24EI-NG/120VAC | 125k | \$3304.71 | TOR-PENTA24EI-NG/120VAC | 140k | \$3635.2 | 2 bags | 50lbs |
| ø 30" x 9-3/4" | 24" | PENTA30EI-NG/120VAC | 200k | \$3509.91 | TOR-PENTA30EI-NG/120VAC | 225k | \$3860.91 | 2 bags | 80lbs |
| ø 36" x 10-3/4" | 30" | PENTA36EI-NG/120VAC | 250k | \$3907.01 | TOR-PENTA36EI-NG/120VAC | 275k | \$4297.72 | 4 bags | 110lbs |
| ø 42" x 11-3/4" | 36" | PENTA42EI-NG/120VAC | 400k | \$4626.61 | TOR-PENTA42EI-NG/120VAC | 375k | \$5089.25 | 4 bags | 150lbs |
| ø 54" x 11-3/4" | 48" | PENTA54EI-NG/120VAC | 400k | \$5348.85 | TOR-PENTA54EI-NG/120VAC | 400k | \$5883.72 | 6 bags | 250lbs |

FPPK Series - Push-Button Ignition

| Insert Size | Burner Sz. | SKU - STANDARD BURNER | BTU | MSRP | SKU - TORPEDO BURNER | BTU | MSRP | Rock | Glass |
|----------------|------------|-----------------------|------|-----------|-------------------------|------|-----------|--------|--------|
| ø 14" x 4-1/2" | 12" Round | FPPK14-FLEX-NG | 90k | \$1325.05 | - | - | - | 1 bag | 20lbs |
| ø 18" x 4-1/2" | 12" | PENTA18FPPK-FLEX-NG | 65k | \$1436.41 | TOR-PENTA18FPPK-FLEX-NG | 65k | \$1723.68 | 2 bags | 30lbs |
| ø 24" x 4-1/2" | 18" | PENTA24FPPK-FLEX-NG | 90k | \$1634.63 | TOR-PENTA24FPPK-FLEX-NG | 90k | \$2353.89 | 2 bags | 50lbs |
| ø 30" x 4-1/2" | 24" | PENTA30FPPK-FLEX-NG | 200k | \$1832.85 | TOR-PENTA30FPPK-FLEX-NG | 140k | \$2199.43 | 2 bags | 80lbs |
| ø 36" x 4-1/2" | 30" | PENTA36FPPK-FLEX-NG | 250k | \$2313.51 | TOR-PENTA36FPPK-FLEX-NG | 140k | \$2776.23 | 4 bags | 110lbs |

FPPK Series - Push-Button Ignition - Small Tank

| Insert Size | Burner Sz. | SKU - STANDARD BURNER | BTU | MSRP | SKU - TORPEDO BURNER | BTU | MSRP | Rock | Glass |
|----------------|------------|------------------------|-----|-----------|----------------------------|-----|-----------|--------|-------|
| ø 14" x 4-1/2" | 12" Round | FPPK14-FLEX-LP-ST | 90k | \$1447.25 | - | - | - | 1 bag | 20lbs |
| ø 18" x 4-1/2" | 12" | PENTA18FPPK-FLEX-LP-ST | 65k | \$1558.61 | TOR-PENTA18FPPK-FLEX-LP-ST | 65k | \$1870.34 | 2 bags | 30lbs |
| ø 24" x 4-1/2" | 18" | PENTA24FPPK-FLEX-LP-ST | 90k | \$1756.83 | TOR-PENTA24FPPK-FLEX-LP-ST | 90k | \$2108.19 | 2 bags | 50lbs |

MLFPPK Series - Match-Lit Ignition

| Insert Size | Burner Sz. | SKU - STANDARD BURNER | BTU | MSRP | SKU - TORPEDO BURNER | BTU | MSRP | Rock | Glass |
|----------------|------------|------------------------|-----|----------|----------------------------|-----|-----------|--------|-------|
| ø 8" x 4-1/2" | 6" Round | MLFPPK8-FLEX-NG | 40k | \$388.28 | - | - | - | 1 bag | 10lbs |
| ø 14" x 4-1/2" | 12" | PENTA14 MLFPPK-FLEX-NG | 65k | \$602.8 | TOR-PENTA14 MLFPPK-FLEX-NG | 65k | \$723.35 | 1 bag | 20lbs |
| ø 18" x 4-1/2" | 12" | PENTA18 MLFPPK-FLEX-NG | 65k | \$613.65 | TOR-PENTA18 MLFPPK-FLEX-NG | 65k | \$736.39 | 2 bags | 30lbs |
| ø 24" x 4-1/2" | 18" | PENTA24 MLFPPK-FLEX-NG | 65k | \$773.87 | TOR-PENTA24 MLFPPK-FLEX-NG | 65k | \$928.64 | 2 bags | 50lbs |
| ø 30" x 4-1/2" | 18" | PENTA30 MLFPPK-FLEX-NG | 65k | \$868.92 | TOR-PENTA30 MLFPPK-FLEX-NG | 65k | \$1042.71 | 2 bags | 80lbs |

MLFPPK Series - Match-Lit Ignition - Small Tank

| Insert Size | Burner Sz. | SKU - STANDARD BURNER | BTU | MSRP | SKU - TORPEDO BURNER | BTU | MSRP | Rock | Glass |
|----------------|------------|---------------------------|-----|-----------|-------------------------------|-----|-----------|--------|-------|
| ø 8" x 4-1/2" | 6" Round | MLFPPK8-FLEX-LP-ST | 40k | \$537.64 | - | - | - | 1 bag | 10lbs |
| ø 14" x 4-1/2" | 12" | PENTA14 MLFPPK-FLEX-LP-ST | 65k | \$752.16 | TOR-PENTA14 MLFPPK-FLEX-LP-ST | 65k | \$902.6 | 1 bag | 20lbs |
| ø 18" x 4-1/2" | 12" | PENTA18 MLFPPK-FLEX-LP-ST | 65k | \$763.02 | TOR-PENTA18 MLFPPK-FLEX-LP-ST | 65k | \$915.63 | 2 bags | 30lbs |
| ø 24" x 4-1/2" | 18" | PENTA24 MLFPPK-FLEX-LP-ST | 65k | \$923.23 | TOR-PENTA24 MLFPPK-FLEX-LP-ST | 65k | \$1107.88 | 2 bags | 50lbs |
| ø 30" x 4-1/2" | 18" | PENTA30 MLFPPK-FLEX-LP-ST | 65k | \$1020.98 | TOR-PENTA30 MLFPPK-FLEX-LP-ST | 65k | \$1225.17 | 2 bags | 80lbs |

**EI Models: Listed height is for standard burner models only. All Torpedo EI fire pits are 7-3/4" for flat pans.



EI HI/LO Smart App Controlled



EI ON/OFF



Push Button Ignition



Match Lit Ignition



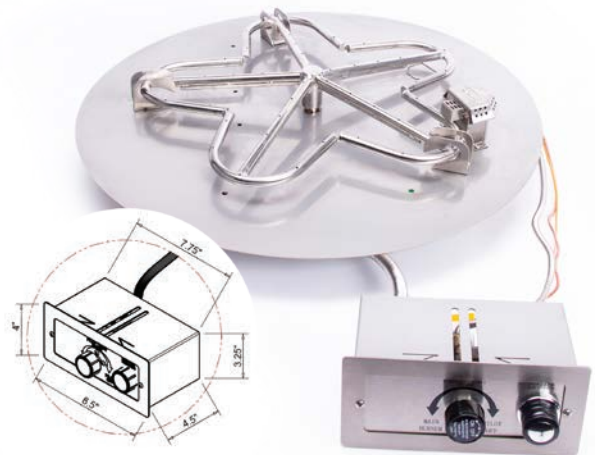


ELECTRONIC IGNITION



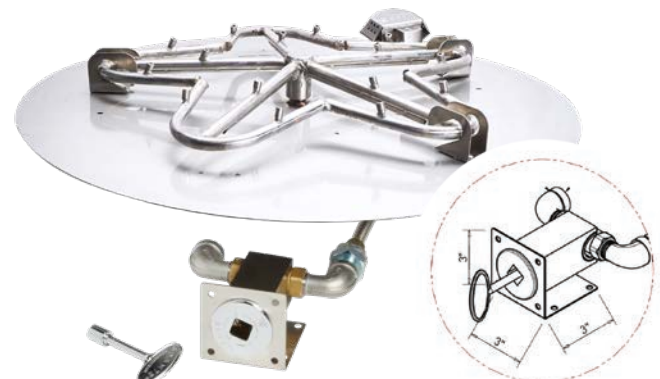
These fire pits are available as ON/OFF or HI/LO. The former is a simple remote-activated on or off switch, whereas the HI/LO can be controlled via Bluetooth and allows for adjustable flame height. Can also be set on install with trimmer valve.

PUSH BUTTON IGNITION



Push button fire pits are controlled using a simple knob and button on a stainless steel valve box and features a flame-sensing system to turn off gas if flame is lost.

MATCH LIT IGNITION



Match lit fire pits are ignited simply by turning the key valve and lighting the gas with a lighter.

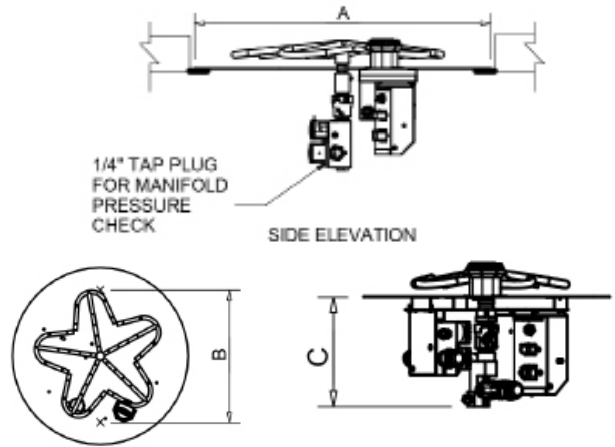
ROUND FLAT *(cont.)*

Electronic Ignition - Specifications

| PENTA BURNER | | | | | | | |
|--------------|-----------|-------|---------|-----------------|----|---------------|---------|
| PART NUMBER* | | BTU | | DIMENSION CHART | | | |
| | | PENTA | TORPEDO | A" | B" | C" (+/- 1/2") | |
| TOR- | PENTA | BTU | BTU | A" | B" | PENTA | TORPEDO |
| TOR- | PENTA18EI | 65K | 90k | 18 | 12 | 7-3/4 | 7-3/4 |
| TOR- | PENTA24EI | 125K | 140k | 24 | 18 | 9-3/4 | 7-3/4 |
| TOR- | PENTA30EI | 200K | 225k | 30 | 24 | 9-3/4 | 7-3/4 |
| TOR- | PENTA36EI | 250K | 275k | 36 | 30 | 10-3/4 | 7-3/4 |
| TOR- | PENTA42EI | 400K | 375K | 42 | 36 | 11-3/4 | 7-3/4 |
| TOR- | PENTA54EI | 400K | 400K | 54 | 48 | 11-3/4 | 7-3/4 |

*FOR TORPEDO BURNERS ADD TOR-

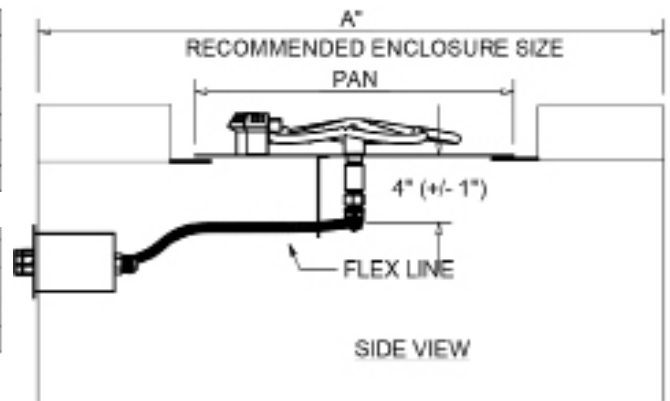
| ROUND BURNER | | | | |
|--------------|-----|-----------------|----|---------------|
| PART NUMBER | BTU | DIMENSION CHART | | |
| | | A" | B" | C" (+/- 1/2") |
| 145SEI | 90K | 14 | 12 | 7-3/4 |



Push Button Ignition - Specifications

| PART NUMBERS | DIMENSION CHART | | | | | |
|--------------|-------------------|--------------|---------|------|-----------------------|-----|
| | PAN | STANDARD BTU | | A" | STND FLEX LINE LENGTH | |
| PENTA BURNER | | PENTA | TORPEDO | A" | STND FLEX LINE LENGTH | |
| TOR- | PENTA18-FPPK-FLEX | 17.75" | 65K | 90K | 45" | 36" |
| TOR- | PENTA24-FPPK-FLEX | 23.75" | 125K | 140K | 54" | 36" |
| TOR- | PENTA30-FPPK-FLEX | 29.75" | 200K | 185K | 54" | 36" |
| TOR- | PENTA36-FPPK-FLEX | 35.75" | 250K | 185K | 54" | 36" |

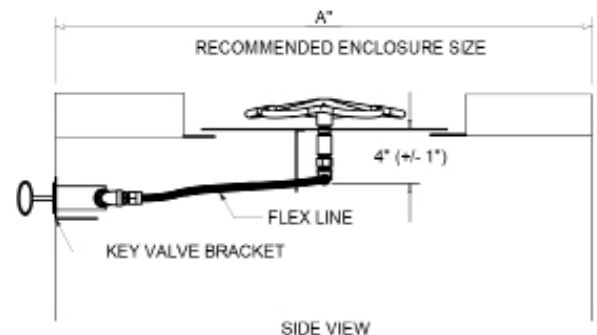
| PART NUMBERS | DIMENSION CHART | | | | | |
|--------------|-----------------|--------------|--------------|----|-----------------------|-----------------------|
| | PAN | STANDARD BTU | | A" | STND FLEX LINE LENGTH | |
| ROUND BURNER | | PAN | STANDARD BTU | | A" | STND FLEX LINE LENGTH |
| FPPK14-FLEX | | 13.75" | 90K | | 45" | 36" |



Match Lit Ignition - Specifications

| PART NUMBER | DIMENSION CHART | | | | | |
|--------------|-------------------|--------------|---------|-----|-----------------------|-----|
| | PAN | STANDARD BTU | | A" | STND FLEX LINE LENGTH | |
| PENTA BURNER | | PENTA | TORPEDO | A" | STND FLEX LINE LENGTH | |
| TOR- | PENTA14MLFPK-FLEX | 13.75" | 65K | 65K | 45" | 36" |
| TOR- | PENTA18MLFPK-FLEX | 17.75" | 65K | 65K | 45" | 36" |
| TOR- | PENTA24MLFPK-FLEX | 23.75" | 65K | 65K | 54" | 36" |
| TOR- | PENTA30MLFPK-FLEX | 29.75" | 65K | 65K | 54" | 36" |

*FOR TORPEDO BURNERS ADD TOR-



SQUARE BOWL

CERTIFIED FIRE PIT INSERTS

Our CSA-certified fire pit inserts are made of durable stainless steel and designed to be the most efficient, safe, and impressive flame on the market.

Installation Considerations

- Minimum of 2" clearance between bottom of insert and ground is required
- 48" clearance to combustibles
- Minimum two sides ventilated
- Minimum 50% free air space within enclosure
- 24VAC models require HPC/SEBCO 24VAC, 100W power supply for inserts ONLY



BENEFITS

- Bowl design includes 1.3" lip to rest over paving stones / enclosure. Depth to pan allows for better media retention
- Fully assembled, commercial grade, CSA-certified fire pit insert

FEATURES

- Raised hub for water mitigation
- Welded gas fitting for strength
- Weep holes for drainage
- Lifetime warranty on burners

SPECIFICATIONS

- Made of #304, 18 gauge stainless steel
- Standard flex line is 36" (when applicable)
- * EI On/Off remote control sold separately

Need LP or 24-Volt Models?

Change "NG" to "LP" in SKU for liquid propane applications
Change "120VAC" to "24VAC" in SKU for 24-V applications

HI/LO Series (Smart App Controlled) - Electronic Ignition

| Insert Size*** | Burner Sz. | SKU - STANDARD BURNER | BTU | MSRP |
|---------------------|------------|-----------------------------|------|-----------|
| 18" x 18" x 10-1/4" | 12" | 18SSEI-SQBL-HI/LO-NG/120VAC | 65k | \$3844.97 |
| 24" x 24" x 12-1/4" | 18" | 24SSEI-SQBL-HI/LO-NG/120VAC | 125k | \$4010.61 |
| 30" x 30" x 12-1/4" | 24" | 30SSEI-SQBL-HI/LO-NG/120VAC | 200k | \$4325.64 |
| 36" x 36" x 13-1/4" | 30" | 36SSEI-SQBL-HI/LO-NG/120VAC | 250k | \$5148.38 |

| SKU - TORPEDO BURNER | BTU | MSRP | Rock | Glass |
|-------------------------------|------|-----------|--------|--------|
| TOR-18SSEI-SQBL-HI/LO-NG/120V | 90k | \$4613.97 | 2 bags | 40lbs |
| TOR-24SSEI-SQBL-HI/LO-NG/120V | 140k | \$4812.74 | 2 bags | 60lbs |
| TOR-30SSEI-SQBL-HI/LO-NG/120V | 225k | \$5190.76 | 2 bags | 100lbs |
| TOR-36SSEI-SQBL-HI/LO-NG/120V | 275k | \$6178.05 | 2 bags | 140lbs |

ON/OFF Series - Electronic Ignition

| Insert Size*** | Burner Sz. | SKU - STANDARD BURNER | BTU | MSRP |
|---------------------|------------|-----------------------|------|-----------|
| 18" x 18" x 10-1/4" | 12" | 18SSEI-SQBL-NG/120VAC | 65k | \$3291.38 |
| 24" x 24" x 12-1/4" | 18" | 24SSEI-SQBL-NG/120VAC | 125k | \$3451.31 |
| 30" x 30" x 12-1/4" | 24" | 30SSEI-SQBL-NG/120VAC | 200k | \$3731.12 |
| 36" x 36" x 13-1/4" | 30" | 36SSEI-SQBL-NG/120VAC | 250k | \$4568 |
| 42" x 42" x 14-1/4" | 36" | 42SSEI-SQBL-NG/120VAC | 400k | \$4919.8 |

| SKU - TORPEDO BURNER | BTU | MSRP | Rock | Glass |
|---------------------------|------|-----------|--------|--------|
| TOR-18SSEI-SQBL-NG/120VAC | 90k | \$3949.64 | 2 bags | 40lbs |
| TOR-24SSEI-SQBL-NG/120VAC | 140k | \$4141.57 | 2 bags | 60lbs |
| TOR-30SSEI-SQBL-NG/120VAC | 225k | \$4477.35 | 2 bags | 100lbs |
| TOR-36SSEI-SQBL-NG/120VAC | 275k | \$5481.59 | 2 bags | 140lbs |
| TOR-42SSEI-SQBL-NG/120VAC | 375k | \$5903.75 | 6 bags | 190lbs |

FPPK Series - Push-Button Ignition

| Insert Size* | Burner Sz. | SKU - STANDARD BURNER | BTU | MSRP |
|--------------------|------------|-----------------------|------|-----------|
| 18" x 18" x 6-1/2" | 12" | FPPK18-SQBL-FLEX-NG | 65k | \$1577.65 |
| 24" x 24" x 6-1/2" | 18" | FPPK24-SQBL-FLEX-NG | 125k | \$1745.97 |
| 30" x 30" x 6-1/2" | 24" | FPPK30-SQBL-FLEX-NG | 200k | \$2050.12 |
| 36" x 36" x 6-1/2" | 30" | FPPK36-SQBL-FLEX-NG | 250k | \$2481.86 |

| SKU - TORPEDO BURNER | BTU | MSRP | Rock | Glass |
|-------------------------|------|-----------|--------|--------|
| TOR-FPPK18-SQBL-FLEX-NG | 90k | \$1893.19 | 2 bags | 40lbs |
| TOR-FPPK24-SQBL-FLEX-NG | 140k | \$2095.16 | 2 bags | 60lbs |
| TOR-FPPK30-SQBL-FLEX-NG | 225k | \$2460.16 | 2 bags | 100lbs |
| TOR-FPPK36-SQBL-FLEX-NG | 275k | \$2978.21 | 2 bags | 140lbs |

FPPK Series - Push-Button Ignition - Small Tank

| Insert Size* | Burner Sz. | SKU - STANDARD BURNER | BTU | MSRP |
|--------------------|------------|------------------------|-----|-----------|
| 18" x 18" x 6-1/2" | 12" | FPPK18-SQBL-FLEX-LP-ST | 65k | \$1699.79 |
| 24" x 24" x 6-1/2" | 18" | FPPK24-SQBL-FLEX-LP-ST | 90k | \$1868.19 |

| SKU - TORPEDO BURNER | BTU | MSRP | Rock | Glass |
|----------------------------|-----|-----------|--------|-------|
| TOR-FPPK18-SQBL-FLEX-LP-ST | 65k | \$2039.76 | 2 bags | 40lbs |
| TOR-FPPK24-SQBL-FLEX-LP-ST | 90k | \$2241.84 | 2 bags | 60lbs |

MLFPK Series - Match-Lit Ignition

| Insert Size* | Burner Sz. | SKU - STANDARD BURNER | BTU | MSRP |
|--------------------|------------|-----------------------|-----|----------|
| 18" x 18" x 6-1/2" | 12" | MLFPK18SQBL-FLEX-NG | 65k | \$651.66 |
| 24" x 24" x 6-1/2" | 18" | MLFPK24SQBL-FLEX-NG | 65k | \$868.92 |
| 30" x 30" x 6-1/2" | 24" | MLFPK30SQBL-FLEX-NG | 65k | \$977.53 |

| SKU - TORPEDO BURNER | BTU | MSRP | Rock | Glass |
|-------------------------|-----|-----------|--------|--------|
| TOR-MLFPK18SQBL-FLEX-NG | 65k | \$782 | 2 bags | 40lbs |
| TOR-MLFPK24SQBL-FLEX-NG | 65k | \$1042.71 | 2 bags | 60lbs |
| TOR-MLFPK30SQBL-FLEX-NG | 65k | \$1173.04 | 2 bags | 100lbs |

MLFPK Series - Match-Lit Ignition - Small Tank

| Insert Size* | Burner Sz. | SKU - STANDARD BURNER | BTU | MSRP |
|--------------------|------------|------------------------|-----|-----------|
| 18" x 18" x 6-1/2" | 12" | MLFPK18SQBL-FLEX-LP-ST | 65k | \$806.46 |
| 24" x 24" x 6-1/2" | 18" | MLFPK24SQBL-FLEX-LP-ST | 65k | \$1020.98 |
| 30" x 30" x 6-1/2" | 24" | MLFPK30SQBL-FLEX-LP-ST | 65k | \$1135 |

| SKU - TORPEDO BURNER | BTU | MSRP | Rock | Glass |
|----------------------------|-----|-----------|--------|--------|
| TOR-MLFPK18SQBL-FLEX-LP-ST | 65k | \$967.75 | 2 bags | 40lbs |
| TOR-MLFPK24SQBL-FLEX-LP-ST | 65k | \$1225.17 | 2 bags | 60lbs |
| TOR-MLFPK30SQBL-FLEX-LP-ST | 65k | \$1362 | 2 bags | 100lbs |

*Insert Size: Insert height includes 2-1/2" pan depth. **EI Models: Listed height is for standard burner models only. All Torpedo EI fire pits are 9-1/2" tall including pan.



EI HI/LO Smart App Controlled



EI ON/OFF



Push Button Ignition



Match Lit Ignition



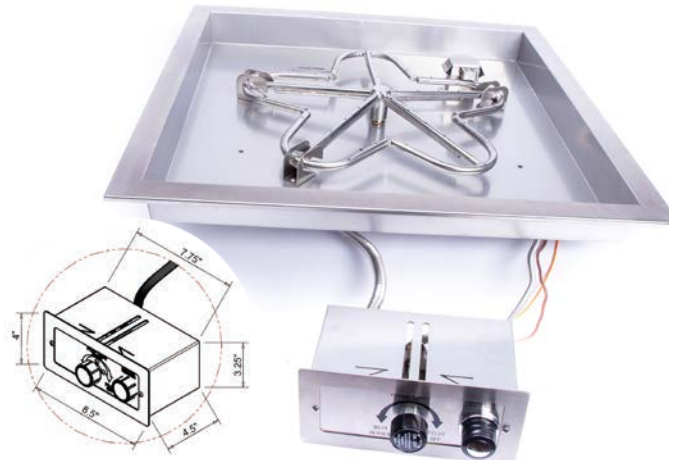


ELECTRONIC IGNITION



These fire pits are available as ON/OFF or HI/LO. The former is a simple remote-activated on or off switch, whereas the HI/LO can be controlled via Bluetooth and allows for adjustable flame height. Can also be set on install with trimmer valve.

PUSH BUTTON IGNITION



Push button fire pits are controlled using a simple knob and button on a stainless steel valve box and features a flame-sensing system to turn off gas if flame is lost.

MATCH LIT IGNITION



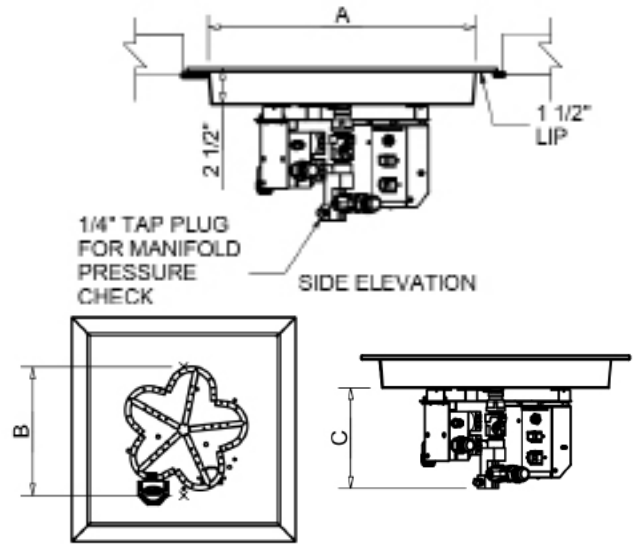
Match lit fire pits are ignited simply by turning the key valve and lighting the gas with a lighter.

SQUARE BOWL (cont.)

Electronic Ignition - Specifications

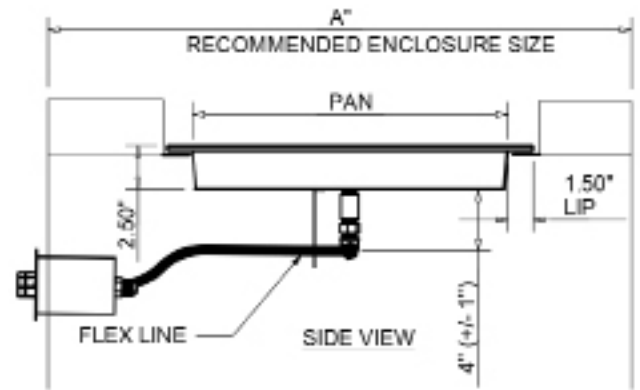
| PART NUMBER* | BTU | | DIMENSION CHART | | | | |
|------------------|-------|------|-----------------|----|---------------|-------|--|
| | PENTA | TOR | A" | B" | C' (+/- 1/2") | | |
| | | | | | PENTA | TOR | |
| TOR- 18SSEI-SQBL | 85K | 90K | 18 | 12 | 7-3/4 | 7-3/4 | |
| TOR- 24SSEI-SQBL | 125K | 140K | 24 | 18 | 9-3/4 | 7-3/4 | |
| TOR- 30SSEI-SQBL | 200K | 225K | 30 | 24 | 9-3/4 | 7-3/4 | |
| TOR- 36SSEI-SQBL | 250K | 275K | 36 | 30 | 10-3/4 | 7-3/4 | |
| TOR- 42SSEI-SQBL | 400K | 375K | 42 | 36 | 11-3/4 | 7-3/4 | |

*FOR TORPEDO BURNERS ADD TOR-



Push Button Ignition - Specifications

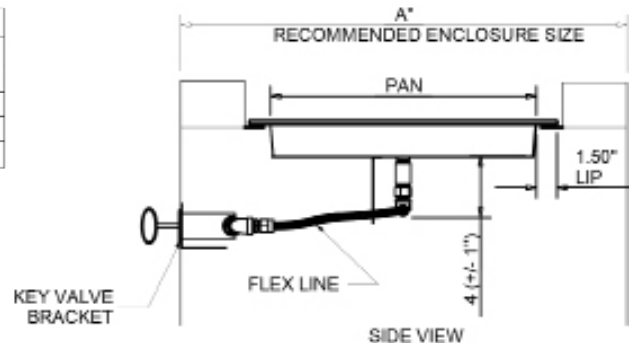
| PART NUMBERS | DIMENSION CHART | | | | |
|------------------|-----------------|-------|---------|-----|-----------------------|
| | PAN | PENTA | TORPEDO | A" | STND FLEX LINE LENGTH |
| | | BTU | BTU | | |
| FPPK18-SQBL-FLEX | 18"X18" | 90K | 90K | 45" | 36" |
| FPPK24-SQBL-FLEX | 24"X24" | 150K | 140K | 54" | 36" |
| FPPK30-SQBL-FLEX | 30"X30" | 250K | 185K | 54" | 36" |
| FPPK36-SQBL-FLEX | 36"X36" | 250K | 185K | 54" | 36" |



Match Lit Ignition - Specifications

| PART NUMBER | DIMENSION CHART | | | | |
|-------------------------|-----------------|--------------|---------|-----|-----------------------|
| | PAN | STANDARD BTU | | A" | STND FLEX LINE LENGTH |
| | | PENTA | TORPEDO | | |
| TOR- MLFPPK18-SQBL-FLEX | 18"X18" | 65K | 65K | 45" | 36" |
| TOR- MLFPPK24-SQBL-FLEX | 24"X24" | 65K | 65K | 54" | 36" |
| TOR- MLFPPK30-SQBL-FLEX | 30"X30" | 65K | 65K | 54" | 36" |

*FOR TORPEDO BURNERS ADD TOR-



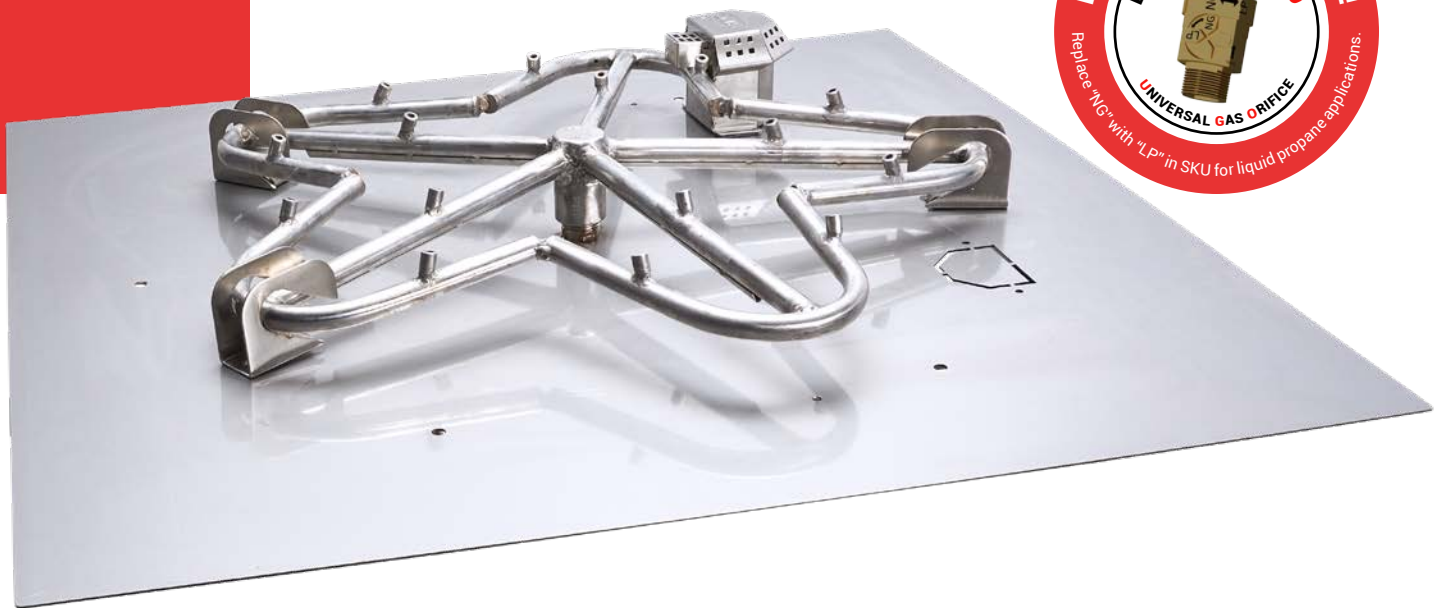
SQUARE FLAT

CERTIFIED FIRE PIT INSERTS

Our CSA-certified fire pit inserts are made of durable stainless steel and designed to be the most efficient, safe, and impressive flame on the market.

Installation Considerations

- Minimum of 2" clearance between bottom of insert and ground is required
- 48" clearance to combustibles
- Minimum two sides ventilated
- Minimum 50% free air space within enclosure
- 24VAC models require HPC/SEBCO 24VAC, 100W power supply for inserts ONLY



BENEFITS

- Economical, flat design. Meant for a recess mount within an enclosure
- Fully assembled, commercial grade, CSA-certified fire pit insert

FEATURES

- Raised hub for water mitigation
- Welded gas fitting for strength
- Weep holes for drainage
- Lifetime warranty on burners

SPECIFICATIONS

- Made of #304, 18 gauge stainless steel
- Standard flex line is 36" (when applicable)
- * EI On/Off remote control sold separately

Need LP or 24-Volt Models?

Change "NG" to "LP" in SKU for liquid propane applications
Change "120VAC" to "24VAC" in SKU for 24-V applications

HI/LO Series (Smart App Controlled) - Electronic Ignition

| Insert Size** | Burner Sz. | SKU - STANDARD BURNER | BTU | MSRP | SKU - TORPEDO BURNER | BTU | MSRP | Rock | Glass |
|---------------------|------------|----------------------------|------|-----------|--------------------------------|------|-----------|--------|--------|
| 18" x 18" x 10-1/4" | 12" | 18FSSEI-SQ-HI/LO-NG/120VAC | 90k | \$3771.62 | TOR-18FSSEI-SQ-HI/LO-NG/120VAC | 90k | \$4525.94 | 2 bags | 40lbs |
| 24" x 24" x 12-1/4" | 18" | 24FSSEI-SQ-HI/LO-NG/120VAC | 150k | \$3891.15 | TOR-24FSSEI-SQ-HI/LO-NG/120VAC | 140k | \$4669.38 | 2 bags | 60lbs |
| 30" x 30" x 12-1/4" | 24" | 30FSSEI-SQ-HI/LO-NG/120VAC | 250k | \$4173.52 | TOR-30FSSEI-SQ-HI/LO-NG/120VAC | 225k | \$5008.22 | 2 bags | 100lbs |
| 36" x 36" x 13-1/4" | 30" | 36FSSEI-SQ-HI/LO-NG/120VAC | 300k | \$4504.83 | TOR-36FSSEI-SQ-HI/LO-NG/120VAC | 275k | \$5405.78 | 2 bags | 140lbs |

ON/OFF Series - Electronic Ignition

| Insert Size** | Burner Sz. | SKU - STANDARD BURNER | BTU | MSRP | SKU - TORPEDO BURNER | BTU | MSRP | Rock | Glass |
|---------------------|------------|-----------------------|------|-----------|--------------------------|------|-----------|--------|--------|
| 18" x 18" x 10-1/4" | 12" | 18FSSEI-SQ-NG/120VAC | 90k | \$3214.12 | TOR-18FSSEI-SQ-NG/120VAC | 90k | \$3856.94 | 2 bags | 40lbs |
| 24" x 24" x 12-1/4" | 18" | 24FSSEI-SQ-NG/120VAC | 125k | \$3334.07 | TOR-24FSSEI-SQ-NG/120VAC | 125k | \$4000.88 | 2 bags | 60lbs |
| 30" x 30" x 12-1/4" | 24" | 30FSSEI-SQ-NG/120VAC | 200k | \$3613.89 | TOR-30FSSEI-SQ-NG/120VAC | 200k | \$4336.66 | 2 bags | 100lbs |
| 36" x 36" x 13-1/4" | 30" | 36FSSEI-SQ-NG/120VAC | 250k | \$3936.35 | TOR-36FSSEI-SQ-NG/120VAC | 250k | \$4723.62 | 2 bags | 140lbs |
| 42" x 42" x 14-1/4" | 36" | 42FSSEI-SQ-NG/120VAC | 400k | \$4450.74 | TOR-42FSSEI-SQ-NG/120VAC | 400k | \$5340.9 | 6 bags | 190lbs |

FPPK Series - Push-Button Ignition

| Insert Size | Burner Sz. | SKU - STANDARD BURNER | BTU | MSRP | SKU - TORPEDO BURNER | BTU | MSRP | Rock | Glass |
|--------------------|------------|-----------------------|------|-----------|-----------------------|------|-----------|--------|--------|
| 18" x 18" x 4-1/2" | 12" | FPPK18-SQ-FLEX-NG | 90k | \$1501.55 | TOR-FPPK18-SQ-FLEX-NG | 90k | \$1801.87 | 2 bags | 40lbs |
| 24" x 24" x 4-1/2" | 18" | FPPK24-SQ-FLEX-NG | 150k | \$1621.09 | TOR-FPPK24-SQ-FLEX-NG | 140k | \$1945.31 | 2 bags | 60lbs |
| 30" x 30" x 4-1/2" | 24" | FPPK30-SQ-FLEX-NG | 250k | \$1895.33 | TOR-FPPK30-SQ-FLEX-NG | 185k | \$2274.4 | 2 bags | 100lbs |
| 36" x 36" x 4-1/2" | 30" | FPPK36-SQ-FLEX-NG | 250k | \$2218.44 | TOR-FPPK36-SQ-FLEX-NG | 185k | \$2662.13 | 2 bags | 140lbs |

FPPK Series - Push-Button Ignition - Small Tank

| Insert Size | Burner Sz. | SKU - STANDARD BURNER | BTU | MSRP | SKU - TORPEDO BURNER | BTU | MSRP | Rock | Glass |
|--------------------|------------|-----------------------|-----|-----------|--------------------------|-----|-----------|--------|-------|
| 18" x 18" x 4-1/2" | 12" | FPPK18-SQ-FLEX-LP-ST | 65k | \$1626.52 | TOR-FPPK18-SQ-FLEX-LP-ST | 65k | \$1951.83 | 2 bags | 40lbs |
| 24" x 24" x 4-1/2" | 18" | FPPK24-SQ-FLEX-LP-ST | 90k | \$1745.97 | TOR-FPPK24-SQ-FLEX-LP-ST | 90k | \$2095.16 | 2 bags | 60lbs |

MLFPK Series - Match-Lit Ignition

| Insert Size | Burner Sz. | SKU - STANDARD BURNER | BTU | MSRP | SKU - TORPEDO BURNER | BTU | MSRP | Rock | Glass |
|--------------------|------------|-----------------------|-----|----------|-----------------------|-----|-----------|--------|--------|
| 18" x 18" x 4-1/2" | 12" | MLFPK18SQ-FLEX-NG | 65k | \$578.32 | TOR-MLFPK18SQ-FLEX-NG | 65k | \$693.98 | 2 bags | 40lbs |
| 24" x 24" x 4-1/2" | 18" | MLFPK24SQ-FLEX-NG | 65k | \$757.6 | TOR-MLFPK24SQ-FLEX-NG | 65k | \$909.11 | 2 bags | 60lbs |
| 30" x 30" x 4-1/2" | 24" | MLFPK30SQ-FLEX-NG | 65k | \$860.76 | TOR-MLFPK30SQ-FLEX-NG | 65k | \$1032.89 | 2 bags | 100lbs |

MLFPK Series - Match-Lit Ignition - Small Tank

| Insert Size | Burner Sz. | SKU - STANDARD BURNER | BTU | MSRP | SKU - TORPEDO BURNER | BTU | MSRP | Rock | Glass |
|--------------------|------------|-----------------------|-----|----------|--------------------------|-----|-----------|--------|--------|
| 18" x 18" x 4-1/2" | 12" | MLFPK18SQ-FLEX-LP-ST | 65k | \$730.43 | TOR-MLFPK18SQ-FLEX-LP-ST | 65k | \$876.52 | 2 bags | 40lbs |
| 24" x 24" x 4-1/2" | 18" | MLFPK24SQ-FLEX-LP-ST | 65k | \$909.61 | TOR-MLFPK24SQ-FLEX-LP-ST | 65k | \$1091.54 | 2 bags | 60lbs |
| 30" x 30" x 4-1/2" | 24" | MLFPK30SQ-FLEX-LP-ST | 65k | \$1012.8 | TOR-MLFPK30SQ-FLEX-LP-ST | 65k | \$1215.36 | 2 bags | 100lbs |

**EI Models: Listed height is for standard burner models only. All Torpedo EI fire pits are 7-3/4" for flat pans.



EI HI/LO Smart App Controlled



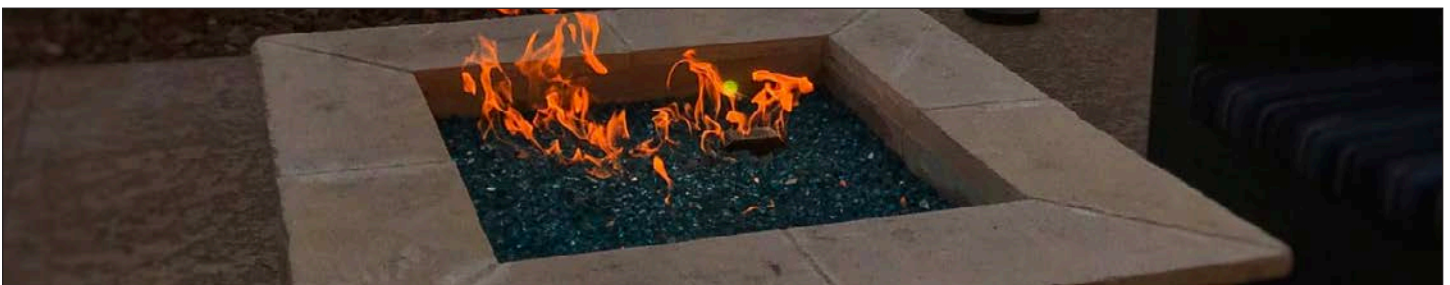
EI ON/OFF



Push Button Ignition



Match Lit Ignition



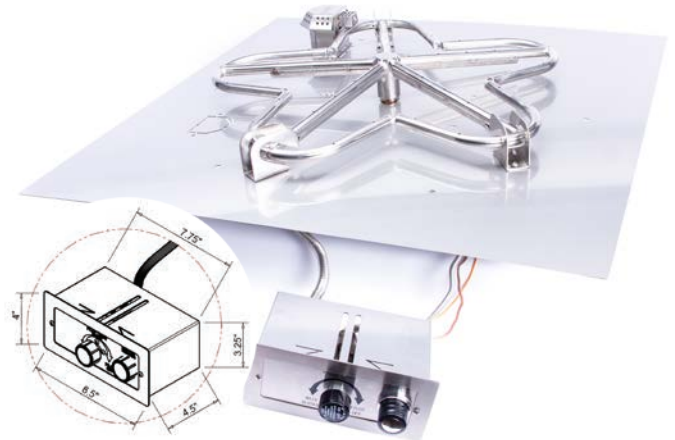


ELECTRONIC IGNITION



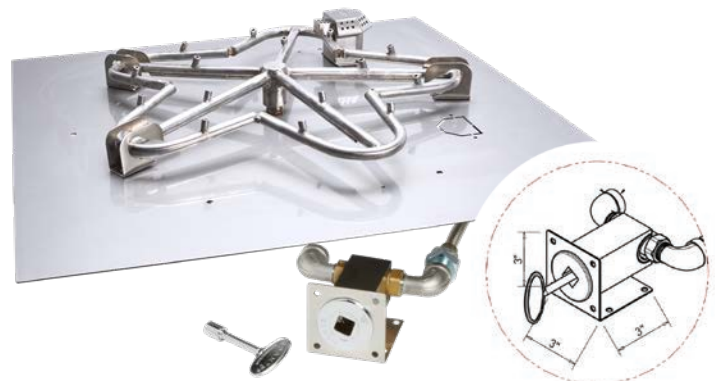
These fire pits are available as ON/OFF or HI/LO. The former is a simple remote-activated on or off switch, whereas the HI/LO can be controlled via Bluetooth and allows for adjustable flame height. Can also be set on install with trimmer valve.

PUSH BUTTON IGNITION



Push button fire pits are controlled using a simple knob and button on a stainless steel valve box and features a flame-sensing system to turn off gas if flame is lost.

MATCH LIT IGNITION



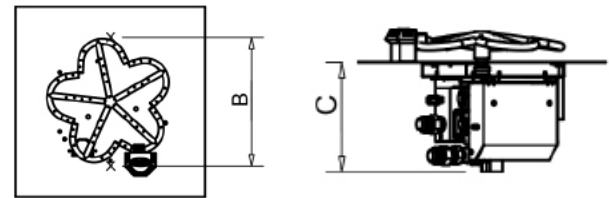
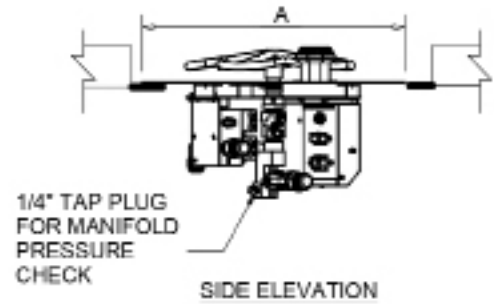
Match lit fire pits are ignited simply by turning the key valve and lighting the gas with a lighter.

SQUARE FLAT *(cont.)*

Electronic Ignition - Specifications

| PART NUMBER* | BTU | | DIMENSION CHART | | | | |
|----------------|-------|---------|-----------------|----|---------------|---------|--|
| | PENTA | TORPEDO | A" | B" | C" (+/- 1/2") | | |
| | | | | | PENTA | TORPEDO | |
| TOR- 18SSEI-SQ | 90K | 90K | 18 | 12 | 7-3/4 | 7-3/4 | |
| TOR- 24SSEI-SQ | 150K | 140K | 24 | 18 | 9-3/4 | 7-3/4 | |
| TOR- 30SSEI-SQ | 250K | 225K | 30 | 24 | 9-3/4 | 7-3/4 | |
| TOR- 36SSEI-SQ | 300K | 275K | 36 | 30 | 10-3/4 | 7-3/4 | |
| TOR- 42SSEI-SQ | 400K | 375K | 42 | 36 | 11-3/4 | 7-3/4 | |

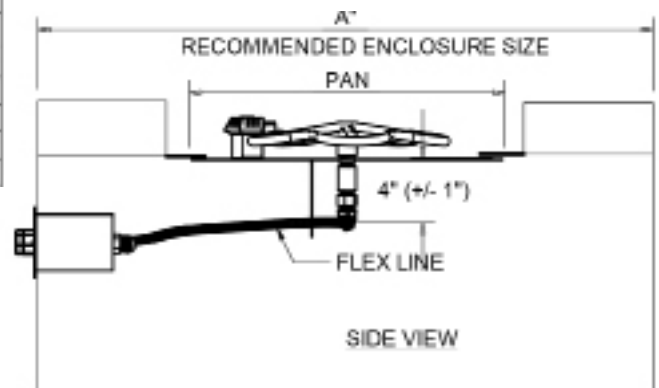
*FOR TORPEDO BURNERS ADD TOR-



Push Button Ignition - Specifications

| PART NUMBER | PAN | DIMENSION CHART | | | | |
|---------------------|---------|-----------------|---------|-----|-----------------------|--|
| | | STANDARD BTU | | A" | STND FLEX LINE LENGTH | |
| | | PENTA | TORPEDO | | | |
| TOR- FPPK18-SQ-FLEX | 18"X18" | 90K | 90K | 45" | 36" | |
| TOR- FPPK24-SQ-FLEX | 24"X24" | 150K | 140K | 54" | 36" | |
| TOR- FPPK30-SQ-FLEX | 30"X30" | 250K | 185K | 54" | 36" | |
| TOR- FPPK36-SQ-FLEX | 36"X36" | 250K | 185K | 54" | 36" | |

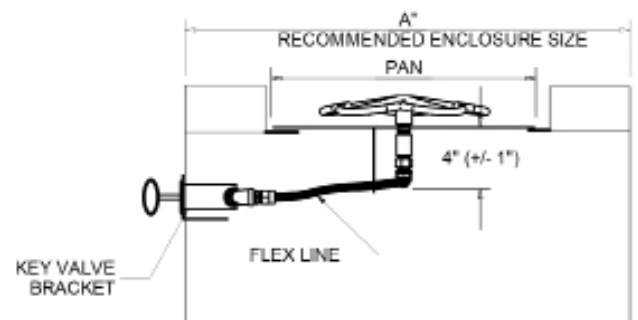
*FOR TORPEDO BURNERS ADD TOR-



Match Lit Ignition - Specifications

| PART NUMBER | PAN | DIMENSION CHART | | | | |
|----------------------|---------|-----------------|---------|-----|-----------------------|--|
| | | STANDARD BTU | | A" | STND FLEX LINE LENGTH | |
| | | PENTA | TORPEDO | | | |
| TOR- MLFPK18-SQ-FLEX | 18"X18" | 12" | 65K | 45" | 36" | |
| TOR- MLFPK24-SQ-FLEX | 24"X24" | 18" | 65K | 54" | 36" | |
| TOR- MLFPK30-SQ-FLEX | 30"X30" | 18" | 65K | 54" | 36" | |

*FOR TORPEDO BURNERS ADD TOR-



H-BURNER

CERTIFIED FIRE PIT INSERTS

Our CSA-certified fire pit inserts are made of durable stainless steel and designed to be the most efficient, safe, and impressive flame on the market.

Installation Considerations

- Minimum of 2" clearance between bottom of insert and ground is required
- 48" clearance to combustibles
- Minimum two sides ventilated
- Minimum 50% free air space within enclosure
- 24VAC models require HPC/SEBCO 24VAC, 100W power supply for inserts ONLY



BENEFITS

- Bowl design includes 1.3" lip to rest over paving stones / enclosure. Depth to pan allows for better media retention
- Fully assembled, commercial grade, CSA-certified fire pit insert

FEATURES

- Raised hub for water mitigation
- Welded gas fitting for strength
- Weep holes for drainage
- Lifetime warranty on burners

SPECIFICATIONS

- Made of #304, 18 gauge stainless steel
- Standard flex line is 36" (when applicable)
- * EI On/Off remote control sold separately

Need LP or 24-Volt Models?

Change "NG" to "LP" in SKU for liquid propane applications
Change "120V" to "24VAC" in SKU for 24-V applications

🔥 HI/LO Series (Smart App Controlled) - Electronic Ignition

| Insert Size*** | Burner Sz. | SKU - TORPEDO BURNER | BTU | MSRP | Rock | Glass |
|---------------------|------------|-------------------------------|------|-----------|--------|---------|
| 24" x 12" x 10-1/4" | 18" x 6" | TOR-24X12SSEI-H-HI/LO-NG/120V | 115k | \$4991.97 | 2 bags | 30lbs |
| 30" x 12" x 10-1/4" | 24" x 6" | TOR-30X12SSEI-H-HI/LO-NG/120V | 150k | \$5350.36 | 2 bags | 40 lbs |
| 36" x 14" x 10-1/4" | 30" x 8" | TOR-36X14SSEI-H-HI/LO-NG/120V | 175k | \$5532.89 | 2 bags | 60 lbs |
| 42" x 14" x 10-1/4" | 36" x 8" | TOR-42X14SSEI-H-HI/LO-NG/120V | 200k | \$5676.25 | 2 bags | 70 lbs |
| 54" x 16" x 10-1/4" | 48" x 10" | TOR-54X16SSEI-H-HI/LO-NG/120V | 250k | \$5998.81 | 4 bags | 90 lbs |
| 66" x 16" x 10-1/4" | 60" x 10" | TOR-66X16SSEI-H-HI/LO-NG/120V | 300k | \$6588.61 | 6 bags | 110 lbs |
| 78" x 16" x 10-1/4" | 72" x 10" | TOR-78X16SSEI-H-HI/LO-NG/120V | 350k | \$7057.88 | 6 bags | 130 lbs |

🔥 ON/OFF Series - Electronic Ignition

| Insert Size*** | Burner Sz. | SKU - TORPEDO BURNER | BTU | MSRP | Rock | Glass |
|---------------------|------------|---------------------------|------|-----------|--------|---------|
| 24" x 12" x 10-1/4" | 18" x 6" | TOR-24X12SSEI-H-NG/120VAC | 115k | \$4336.66 | 2 bags | 30lbs |
| 30" x 12" x 10-1/4" | 24" x 6" | TOR-30X12SSEI-H-NG/120VAC | 150k | \$4672.45 | 2 bags | 40 lbs |
| 36" x 14" x 10-1/4" | 30" x 8" | TOR-36X14SSEI-H-NG/120VAC | 175k | \$4845.14 | 2 bags | 60 lbs |
| 42" x 14" x 10-1/4" | 36" x 8" | TOR-42X14SSEI-H-NG/120VAC | 200k | \$4985.82 | 2 bags | 70 lbs |
| 54" x 16" x 10-1/4" | 48" x 10" | TOR-54X16SSEI-H-NG/120VAC | 250k | \$5305.67 | 4 bags | 90 lbs |
| 66" x 16" x 10-1/4" | 60" x 10" | TOR-66X16SSEI-H-NG/120VAC | 300k | \$5887.73 | 6 bags | 110 lbs |
| 78" x 16" x 10-1/4" | 72" x 10" | TOR-78X16SSEI-H-NG/120VAC | 350k | \$6348.29 | 6 bags | 130 lbs |
| 90" x 16" x 10-1/4" | 84" x 10" | TOR-90X16SSEI-H-NG/120VAC | 400k | \$6840.79 | 6 bags | 150 lbs |

🔥 FPPK Series - Push-Button Ignition

| Insert Size* | Burner Sz. | SKU - TORPEDO BURNER | BTU | MSRP | Rock | Glass |
|--------------------|------------|-------------------------|------|-----------|--------|--------|
| 24" x 12" x 6-1/2" | 18" x 6" | TOR-FPPK24X12-H-FLEX-NG | 115k | \$2140.79 | 2 bags | 30lbs |
| 30" x 12" x 6-1/2" | 24" x 6" | TOR-FPPK30X12-H-FLEX-NG | 150k | \$2434.1 | 2 bags | 40 lbs |
| 36" x 14" x 6-1/2" | 30" x 8" | TOR-FPPK36X14-H-FLEX-NG | 150k | \$2639.28 | 2 bags | 60 lbs |
| 42" x 14" x 6-1/2" | 36" x 8" | TOR-FPPK42X14-H-FLEX-NG | 200k | \$2851.1 | 2 bags | 70 lbs |
| 54" x 16" x 6-1/2" | 48" x 10" | TOR-FPPK54X16-H-FLEX-NG | 200k | \$3183.5 | 4 bags | 90 lbs |

🔥 FPPK Series - Push-Button Ignition - Small Tank

| Insert Size* | Burner Sz. | SKU - TORPEDO BURNER | BTU | MSRP | Rock | Glass |
|--------------------|------------|----------------------------|-----|-----------|--------|--------|
| 24" x 12" x 6-1/2" | 18" x 6" | TOR-FPPK24X12-H-FLEX-LP-ST | 75k | \$2287.43 | 2 bags | 30lbs |
| 30" x 12" x 6-1/2" | 24" x 6" | TOR-FPPK30X12-H-FLEX-LP-ST | 90k | \$2580.67 | 2 bags | 40 lbs |
| 36" x 14" x 6-1/2" | 30" x 8" | TOR-FPPK36X14-H-FLEX-LP-ST | 90k | \$2785.94 | 2 bags | 60 lbs |

🔥 MLFPPK Series - Match-Lit Ignition

| Insert Size* | Burner Sz. | SKU - TORPEDO BURNER | BTU | MSRP | Rock | Glass |
|--------------------|------------|---------------------------|-----|-----------|--------|--------|
| 24" x 12" x 6-1/2" | 18" x 6" | TOR-MLFPPK24X12-H-FLEX-NG | 65k | \$935.17 | 2 bags | 30lbs |
| 30" x 12" x 6-1/2" | 24" x 6" | TOR-MLFPPK30X12-H-FLEX-NG | 65k | \$1049.25 | 2 bags | 40 lbs |
| 36" x 14" x 6-1/2" | 30" x 8" | TOR-MLFPPK36X14-H-FLEX-NG | 65k | \$1342.46 | 2 bags | 60 lbs |

🔥 MLFPPK Series - Match-Lit Ignition - Small Tank

| Insert Size* | Burner Sz. | SKU - TORPEDO BURNER | BTU | MSRP | Rock | Glass |
|--------------------|------------|------------------------------|-----|-----------|--------|--------|
| 24" x 12" x 6-1/2" | 18" x 6" | TOR-MLFPPK24X12-H-FLEX-LP-ST | 65k | \$1114.39 | 2 bags | 30lbs |
| 30" x 12" x 6-1/2" | 24" x 6" | TOR-MLFPPK30X12-H-FLEX-LP-ST | 65k | \$1231.61 | 2 bags | 40 lbs |
| 36" x 14" x 6-1/2" | 30" x 8" | TOR-MLFPPK36X14-H-FLEX-LP-ST | 65k | \$1524.9 | 2 bags | 60 lbs |

*Insert Size: Insert height includes 2-1/2" pan depth. **EI Models: Listed height is for standard burner models only. All Torpedo EI fire pits are 9-1/2" tall including pan.



EI HI/LO Smart App Controlled



EI ON/OFF



Push Button Ignition



Match Lit Ignition



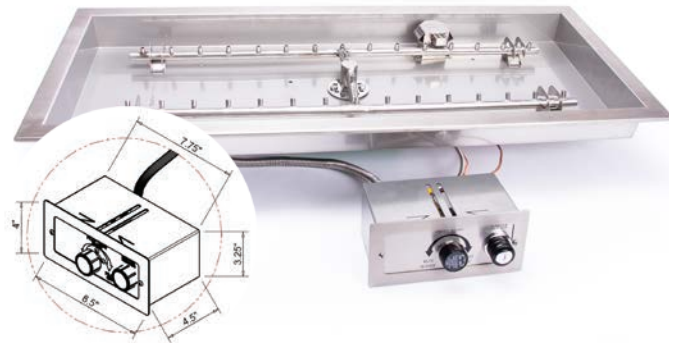


ELECTRONIC IGNITION



These fire pits are available as ON/OFF or HI/LO. The former is a simple remote-activated on or off switch, whereas the HI/LO can be controlled via Bluetooth and allows for adjustable flame height. Can also be set on install with trimmer valve.

PUSH BUTTON IGNITION



Push button fire pits are controlled using a simple knob and button on a stainless steel valve box and features a flame-sensing system to turn off gas if flame is lost.

MATCH LIT IGNITION

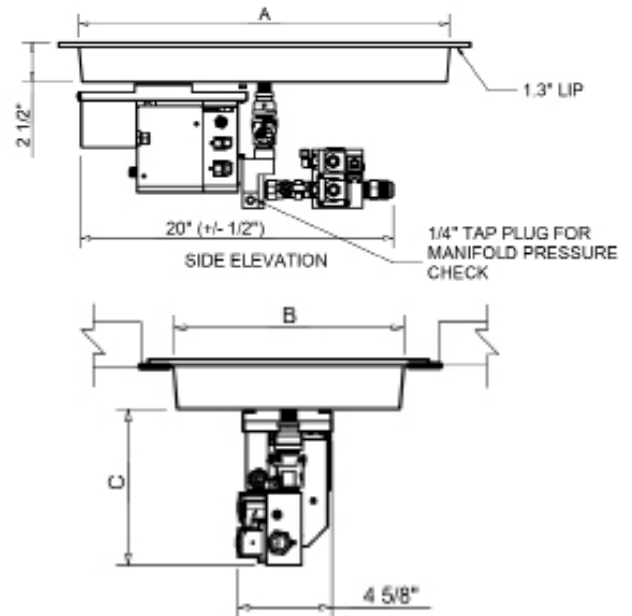


Match lit fire pits are ignited simply by turning the key valve and lighting the gas with a lighter.

H-BURNER *(cont.)*

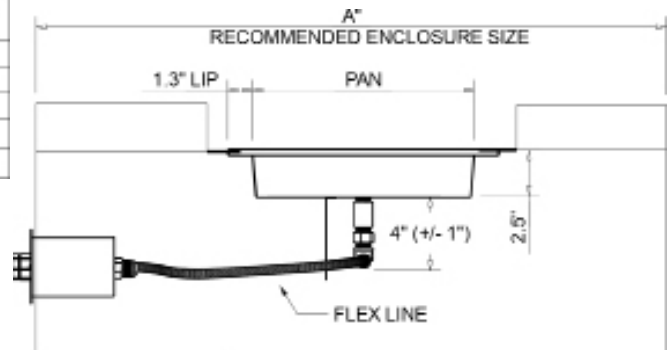
Electronic Ignition - Specifications

| PART NUMBER | BTU | DIMENSION CHART | | |
|-----------------|------|-----------------|----|---------------|
| | | A" | B" | C" (+/- 1/2") |
| TOR-24X12SSEI-H | 115K | 24 | 12 | 7-3/4 |
| TOR-30X12SSEI-H | 150K | 30 | 12 | 7-3/4 |
| TOR-36X14SSEI-H | 175K | 36 | 14 | 7-3/4 |
| TOR-42X14SSEI-H | 200K | 42 | 14 | 7-3/4 |
| TOR-54X16SSEI-H | 250K | 54 | 16 | 7-3/4 |
| TOR-66X16SSEI-H | 300K | 66 | 16 | 7-3/4 |
| TOR-78X16SSEI-H | 350K | 78 | 16 | 7-3/4 |
| TOR-90X16SSEI-H | 400K | 90 | 16 | 7-3/4 |



Push Button Ignition - Specifications

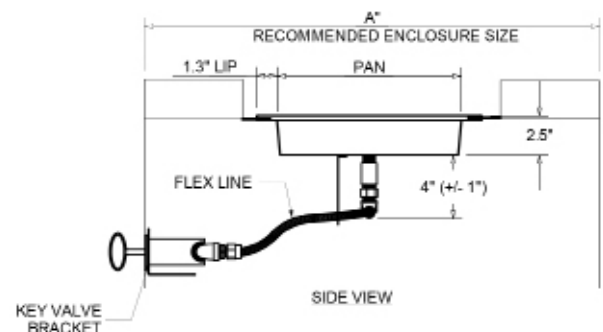
| PART NUMBERS | PAN | DIMENSION CHART | | | |
|-----------------------|---------|-----------------|---------|---------|-----------------------|
| | | STANDARD BTU | | A" | STND FLEX LINE LENGTH |
| | | PENTA | TORPEDO | | |
| TOR- FPPK24X12-H-FLEX | 24"X12" | 75K | 115K | 56LX28W | 36" |
| TOR- FPPK30X12-H-FLEX | 30"X12" | 100K | 150K | 56LX28W | 36" |
| TOR- FPPK36X14-H-FLEX | 36"X14" | 125K | 150K | 64LX32W | 36" |
| TOR- FPPK42X14-H-FLEX | 42"X14" | 150K | 200K | 64LX32W | 36" |
| TOR- FPPK54X16-H-FLEX | 54"X16" | 200K | 200K | 76LX38W | 36" |



Match Lit Ignition - Specifications

| PART NUMBER | PAN | DIMENSION CHART | | | |
|----------------------|---------|-----------------|---------|---------|-----------------------|
| | | STANDARD BTU | | A" | STND FLEX LINE LENGTH |
| | | PENTA | TORPEDO | | |
| TOR- MLFPK24X12-FLEX | 24"X12" | 65K | 65K | 56"X28" | 36" |
| TOR- MLFPK30X12-FLEX | 30"X12" | 65K | 65K | 56"X28" | 36" |
| TOR- MLFPK36X14-FLEX | 36"X14" | 65K | 65K | 64"X32" | 36" |

*FOR TORPEDO BURNERS ADD TOR-



LINEAR TROUGH

CERTIFIED FIRE PIT INSERTS

Our CSA-certified fire pit inserts are made of durable stainless steel and designed to be the most efficient, safe, and impressive flame on the market.

Installation Considerations

- Minimum of 2" clearance between bottom of insert and ground is required
- 48" clearance to combustibles
- Minimum two sides ventilated
- Minimum 50% free air space within enclosure
- 24VAC models require HPC/SEBCO 24VAC, 100W power supply for inserts ONLY



BENEFITS

- Bowl design includes 1.3" lip to rest over paving stones / enclosure. Depth to pan allows for better media retention
- Fully assembled, commercial grade, CSA-certified fire pit insert

FEATURES

- Raised hub for water mitigation
- Welded gas fitting for strength
- Weep holes for drainage
- Lifetime warranty on burners

SPECIFICATIONS

- Made of #304, 18 gauge stainless steel
- Standard flex line is 36" (when applicable)
- * EI On/Off remote control sold separately

Need LP or 24-Volt Models?

Change "NG" to "LP" in SKU for liquid propane applications
Change "120VAC" to "24VAC" in SKU for 24-V applications

🔥 HI/LO Series (Smart App Controlled) - Electronic Ignition

| Insert Size*** | Burner Sz. | SKU - TORPEDO BURNER | BTU | MSRP | Rock | Glass |
|--------------------|------------|-------------------------------|------|-----------|--------|-------|
| 24" x 8" x 10-1/4" | 23-1/2" | TOR-24SSEI-TRGH-HI/LO-NG/120V | 75k | \$4506.4 | 1 bag | 20lbs |
| 36" x 8" x 10-1/4" | 35-1/2" | TOR-36SSEI-TRGH-HI/LO-NG/120V | 115k | \$4903.96 | 2 bags | 30lbs |
| 48" x 8" x 10-1/4" | 47-1/2" | TOR-48SSEI-TRGH-HI/LO-NG/120V | 150k | \$5549.13 | 2 bags | 40lbs |
| 60" x 8" x 10-1/4" | 59-1/2" | TOR-60SSEI-TRGH-HI/LO-NG/120V | 175k | \$6572.31 | 2 bags | 50lbs |
| 72" x 8" x 10-1/4" | 71-1/2" | TOR-72SSEI-TRGH-HI/LO-NG/120V | 200k | \$7292.44 | 2 bags | 60lbs |
| 96" x 8" x 10-1/4" | 95-1/2" | TOR-96SSEI-TRGH-HI/LO-NG/120V | 300k | \$7650.91 | 2 bags | 80lbs |

🔥 ON/OFF Series - Electronic Ignition

| Insert Size*** | Burner Sz. | SKU - TORPEDO BURNER | BTU | MSRP | Rock | Glass |
|--------------------|------------|---------------------------|------|-----------|--------|-------|
| 24" x 8" x 10-1/4" | 23-1/2" | TOR-24SSEI-TRGH-NG/120VAC | 75k | \$3840.89 | 1 bag | 20lbs |
| 36" x 8" x 10-1/4" | 35-1/2" | TOR-36SSEI-TRGH-NG/120VAC | 115k | \$4231.12 | 2 bags | 30lbs |
| 48" x 8" x 10-1/4" | 47-1/2" | TOR-48SSEI-TRGH-NG/120VAC | 150k | \$4864.32 | 2 bags | 40lbs |
| 60" x 8" x 10-1/4" | 59-1/2" | TOR-60SSEI-TRGH-NG/120VAC | 175k | \$5868.54 | 2 bags | 50lbs |
| 72" x 8" x 10-1/4" | 71-1/2" | TOR-72SSEI-TRGH-NG/120VAC | 200k | \$6575.36 | 2 bags | 60lbs |
| 96" x 8" x 10-1/4" | 95-1/2" | TOR-96SSEI-TRGH-NG/120VAC | 300k | \$6927.18 | 2 bags | 80lbs |

🔥 FPPK Series - Push-Button Ignition

| Insert Size* | Burner Sz. | SKU - TORPEDO BURNER | BTU | MSRP | Rock | Glass |
|-------------------|------------|-------------------------|------|-----------|--------|-------|
| 24" x 8" x 6-1/2" | 23-1/2" | TOR-FPPK24-TRGH-FLEX-NG | 75k | \$1694.4 | 1 bag | 20lbs |
| 36" x 8" x 6-1/2" | 35-1/2" | TOR-FPPK36-TRGH-FLEX-NG | 115k | \$1821.5 | 2 bags | 30lbs |
| 48" x 8" x 6-1/2" | 47-1/2" | TOR-FPPK48-TRGH-FLEX-NG | 150k | \$1974.18 | 2 bags | 40lbs |
| 60" x 8" x 6-1/2" | 59-1/2" | TOR-FPPK60-TRGH-FLEX-NG | 175k | \$2890.21 | 2 bags | 50lbs |
| 72" x 8" x 6-1/2" | 71-1/2" | TOR-FPPK72-TRGH-FLEX-NG | 200k | \$3121.58 | 2 bags | 60lbs |

🔥 FPPK Series - Push-Button Ignition - Small Tank

| Insert Size* | Burner Sz. | SKU - TORPEDO BURNER | BTU | MSRP | Rock | Glass |
|-------------------|------------|----------------------------|-----|-----------|--------|-------|
| 24" x 8" x 6-1/2" | 23-1/2" | TOR-FPPK24-TRGH-FLEX-LP-ST | 50k | \$1841.05 | 1 bag | 20lbs |
| 36" x 8" x 6-1/2" | 35-1/2" | TOR-FPPK36-TRGH-FLEX-LP-ST | 75k | \$1968.06 | 2 bags | 30lbs |
| 48" x 8" x 6-1/2" | 47-1/2" | TOR-FPPK48-TRGH-FLEX-LP-ST | 90k | \$2121.24 | 2 bags | 40lbs |
| 60" x 8" x 6-1/2" | 59-1/2" | TOR-FPPK60-TRGH-FLEX-LP-ST | 90k | \$3036.86 | 2 bags | 50lbs |

🔥 MLFPK Series - Match-Lit Ignition

| Insert Size* | Burner Sz. | SKU - TORPEDO BURNER | BTU | MSRP | Rock | Glass |
|-------------------|------------|--------------------------|-----|----------|--------|-------|
| 24" x 8" x 6-1/2" | 23-1/2" | TOR-MLFPK24 TRGH-FLEX-NG | 65k | \$596.25 | 1 bag | 20lbs |
| 36" x 8" x 6-1/2" | 35-1/2" | TOR-MLFPK36 TRGH-FLEX-NG | 65k | \$697.3 | 2 bags | 30lbs |
| 48" x 8" x 6-1/2" | 47-1/2" | TOR-MLFPK48 TRGH-FLEX-NG | 65k | \$860.18 | 2 bags | 40lbs |

🔥 MLFPK Series - Match-Lit Ignition - Small Tank

| Insert Size* | Burner Sz. | SKU - TORPEDO BURNER | BTU | MSRP | Rock | Glass |
|-------------------|------------|-----------------------------|-----|-----------|--------|-------|
| 24" x 8" x 6-1/2" | 23-1/2" | TOR-MLFPK24 TRGH-FLEX-LP-ST | 50k | \$775.5 | 1 bag | 20lbs |
| 36" x 8" x 6-1/2" | 35-1/2" | TOR-MLFPK36 TRGH-FLEX-LP-ST | 65k | \$879.73 | 2 bags | 30lbs |
| 48" x 8" x 6-1/2" | 47-1/2" | TOR-MLFPK48 TRGH-FLEX-LP-ST | 65k | \$1039.42 | 2 bags | 40lbs |

*Insert Size: Insert height includes 2-1/2" pan depth. **EI Models: Listed height is for standard burner models only. All Torpedo EI fire pits are 9-1/2" tall including pan.



EI HI/LO Smart App Controlled



EI ON/OFF



Push Button Ignition



Match Lit Ignition



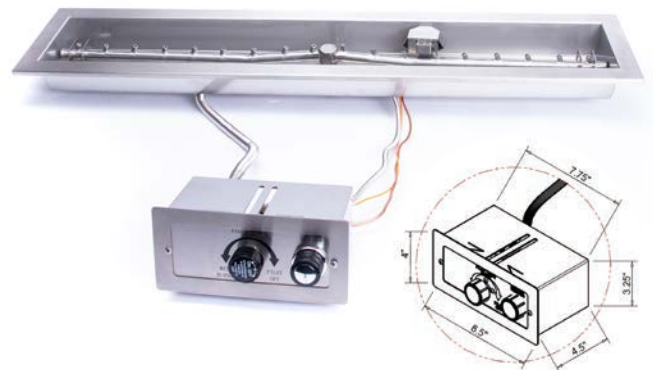


ELECTRONIC IGNITION



These fire pits are available as ON/OFF or HI/LO. The former is a simple remote-activated on or off switch, whereas the HI/LO can be controlled via Bluetooth and allows for adjustable flame height. Can also be set on install with trimmer valve.

PUSH BUTTON IGNITION



Push button fire pits are controlled using a simple knob and button on a stainless steel valve box and features a flame-sensing system to turn off gas if flame is lost.

MATCH LIT IGNITION

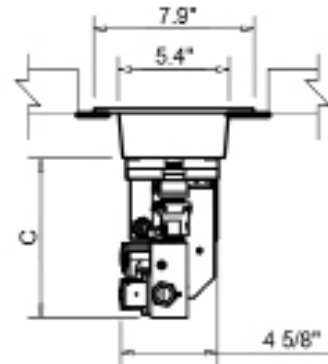
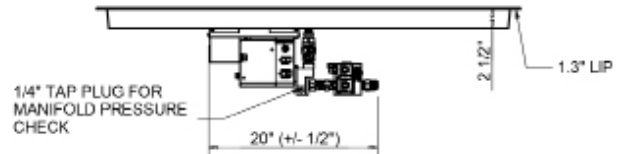


Match lit fire pits are ignited simply by turning the key valve and lighting the gas with a lighter.

LINEAR TROUGH (cont.)

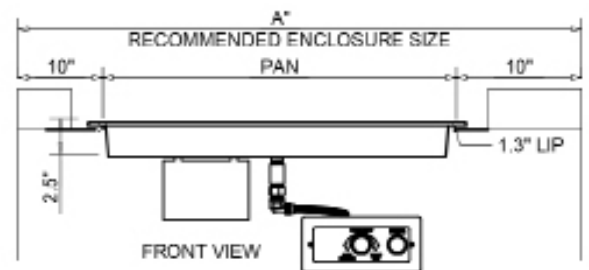
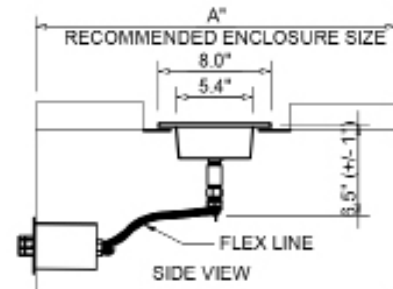
Electronic Ignition - Specifications

| PART NUMBER | BTU | DIMENSION CHART | | |
|-----------------|------|-----------------|--------|---------------|
| | | PAN | BURNER | C" (+/- 1/2") |
| TOR-24SSEI-TRGH | 75K | 24.5" | 23.50" | 7-3/4" |
| TOR-36SSEI-TRGH | 115K | 36.5" | 35.50" | 7-3/4" |
| TOR-48SSEI-TRGH | 150K | 48.5" | 47.50" | 7-3/4" |
| TOR-60SSEI-TRGH | 175K | 60.5" | 59.50" | 7-3/4" |
| TOR-72SSEI-TRGH | 200K | 72.5" | 71.50" | 7-3/4" |
| TOR-96SSEI-TRGH | 300K | 96.5" | 95.5" | 7-3/4" |



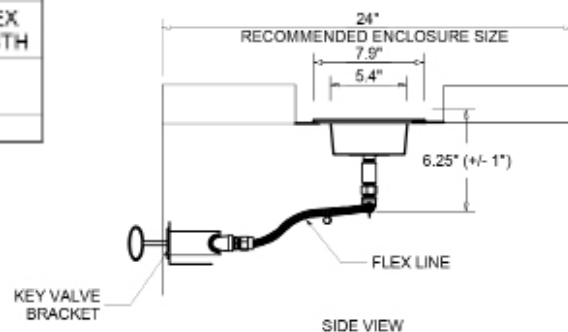
Push Button Ignition - Specifications

| PART NUMBER | | DIMENSION CHART | | | |
|-------------|------------------|-----------------|-------------------------|---------|--------------------------|
| | | PAN | STANDARD BTU TORPEDO | A* | STND FLEX LINE LENGTH |
| TOR- | FPPK24-TRGH-FLEX | 24.5" | 75K | 44LX24W | 36" |
| TOR- | FPPK36-TRGH-FLEX | 36.5" | 115K | 56LX24W | 36" |
| TOR- | FPPK48-TRGH-FLEX | 48.5" | 150K | 68LX24W | 36" |
| TOR- | FPPK60-TRGH-FLEX | 60.5" | 175K | 80LX24W | 36" |
| TOR- | FPPK72-TRGH-FLEX | 72.5" | 200K | 92LX24W | 36" |



Match Lit Ignition - Specifications

| PART NUMBER | | DIMENSION CHART | | | |
|-------------|--------------------|-----------------|-------------------------------|-----|--------------------------|
| | | PAN | STANDARD BTU PENTA TORPEDO | | STND FLEX LINE LENGTH |
| TOR- | MLFPPK24-TRGH-FLEX | 24.5" | 50K | 85K | 36" |
| TOR- | MLFPPK36-TRGH-FLEX | 36.5" | 65K | 85K | 36" |
| TOR- | MLFPPK48-TRGH-FLEX | 48.5" | 65K | 85K | 36" |



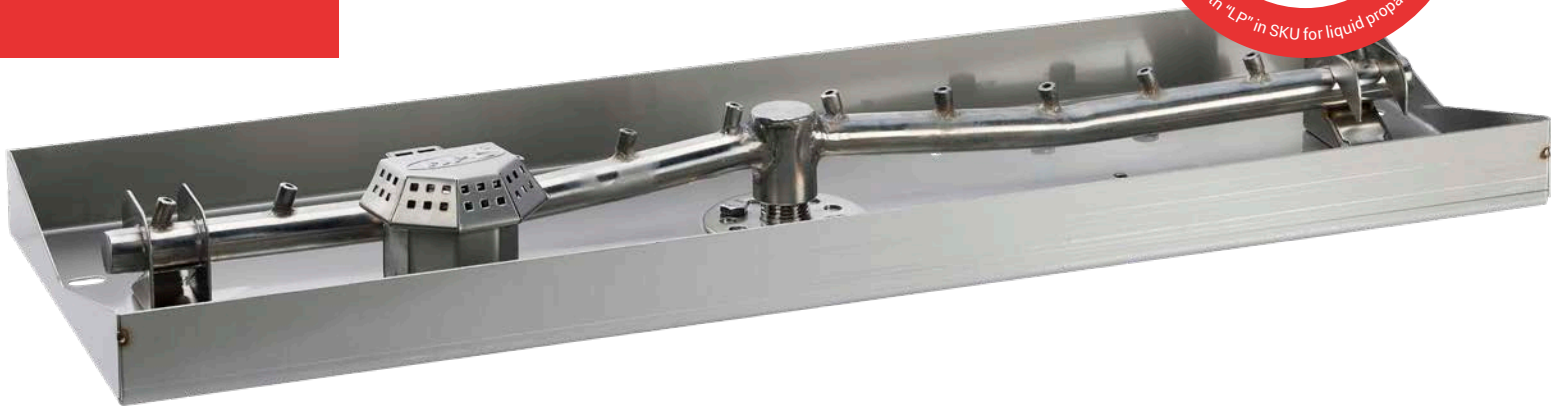
INTERLINK

CERTIFIED FIRE PIT INSERTS

Our CSA-certified fire pit inserts are made of durable stainless steel and designed to be the most efficient, safe, and impressive flame on the market.

Installation Considerations

- Minimum of 2" clearance between bottom of insert and ground is required
- 48" clearance to combustibles
- Minimum two sides ventilated
- Minimum 50% free air space within enclosure
- 24VAC models require HPC/SEBCO 24VAC, 100W power supply for inserts ONLY



BENEFITS

- Interlinking pans can be connected side by side to create a continuous flame
- Fully assembled, commercial grade, CSA-certified fire pit insert

FEATURES

- Raised hub for water mitigation
- Welded gas fitting for strength
- Weep holes for drainage
- Lifetime warranty on burners

SPECIFICATIONS

- Made of #304, 18 gauge stainless steel
- Standard flex line is 36" (when applicable)
- * EI On/Off remote control sold separately

Need LP or 24-Volt Models?

Change "NG" to "LP" in SKU for liquid propane applications
Change "120VAC" to "24VAC" in SKU for 24-V applications

HI/LO Series (Smart App Controlled) - Electronic Ignition

| Insert Size* | Burner Sz. | SKU - TORPEDO BURNER | BTU | MSRP | Rock | Glass |
|--------------------|------------|--------------------------------|------|-----------|--------|-------|
| 25" x 8" x 9-1/4" | 24" | TOR-25X8SSEI-L-HI/LO-NG/120VAC | 75k | \$4128.48 | 1 bag | 30lbs |
| 37" x 8" x 9-1/4" | 36" | TOR-37X8SSEI-L-HI/LO-NG/120VAC | 115k | \$4525.94 | 2 bags | 40lbs |
| 49" x 8" x 9-1/4" | 48" | TOR-49X8SSEI-L-HI/LO-NG/120VAC | 150k | \$4956.11 | 2 bags | 50lbs |
| 61" x 8" x 9-1/4" | 60" | TOR-61X8SSEI-L-HI/LO-NG/120VAC | 175k | \$5927.15 | 2 bags | 60lbs |
| 73" x 8" x 9-1/4" | 72" | TOR-73X8SSEI-L-HI/LO-NG/120VAC | 200k | \$6428.97 | 4 bags | 70lbs |
| 97" x 8" x 9-1/4" | 96" | TOR-97X8SSEI-L-HI/LO-NG/120VAC | 300k | \$6754.83 | 4 bags | 80lbs |
| 121" x 8" x 9-1/4" | 120" | TOR-121X8SSEI-L-HI/LO-NG/120V | 300k | \$7937.61 | 6 bags | 90lbs |

ON/OFF Series - Electronic Ignition

| Insert Size* | Burner Sz. | SKU - TORPEDO BURNER | BTU | MSRP | Rock | Glass |
|--------------------|------------|---------------------------|------|-----------|--------|-------|
| 25" x 8" x 9-1/4" | 24" | TOR-25X8SSEI-L-NG/120VAC | 75k | \$3473.13 | 1 bag | 30lbs |
| 37" x 8" x 9-1/4" | 36" | TOR-37X8SSEI-L-NG/120VAC | 115k | \$3856.94 | 2 bags | 40lbs |
| 49" x 8" x 9-1/4" | 48" | TOR-49X8SSEI-L-NG/120VAC | 150k | \$4282.27 | 2 bags | 50lbs |
| 61" x 8" x 9-1/4" | 60" | TOR-61X8SSEI-L-NG/120VAC | 175k | \$5235.34 | 2 bags | 60lbs |
| 73" x 8" x 9-1/4" | 72" | TOR-73X8SSEI-L-NG/120VAC | 200k | \$5727.83 | 4 bags | 70lbs |
| 97" x 8" x 9-1/4" | 96" | TOR-97X8SSEI-L-NG/120VAC | 300k | \$6044.44 | 4 bags | 80lbs |
| 121" x 8" x 9-1/4" | 120" | TOR-121X8SSEI-L-NG/120VAC | 300k | \$7208.55 | 6 bags | 90lbs |

FPPK Series - Push-Button Ignition

| Insert Size* | Burner Sz. | SKU - TORPEDO BURNER | BTU | MSRP | Rock | Glass |
|-------------------|------------|------------------------|------|-----------|--------|-------|
| 25" x 8" x 5-1/2" | 24" | TOR-FPPK25X8-L-FLEX-NG | 75k | \$1612.92 | 1 bag | 30lbs |
| 37" x 8" x 5-1/2" | 36" | TOR-FPPK37X8-L-FLEX-NG | 115k | \$1736.7 | 2 bags | 40lbs |
| 49" x 8" x 5-1/2" | 48" | TOR-FPPK49X8-L-FLEX-NG | 150k | \$1893.19 | 2 bags | 50lbs |
| 61" x 8" x 5-1/2" | 60" | TOR-FPPK61X8-L-FLEX-NG | 175k | \$2502.46 | 2 bags | 60lbs |
| 73" x 8" x 5-1/2" | 72" | TOR-FPPK73X8-L-FLEX-NG | 200k | \$2851.1 | 4 bags | 70lbs |

FPPK Series - Push-Button Ignition - Small Tank

| Insert Size* | Burner Sz. | SKU - TORPEDO BURNER | BTU | MSRP | Rock | Glass |
|-------------------|------------|---------------------------|------|-----------|--------|-------|
| 25" x 8" x 5-1/2" | 24" | TOR-FPPK25X8-L-FLEX-LP-ST | 75k | \$1759.54 | 1 bag | 30lbs |
| 37" x 8" x 5-1/2" | 36" | TOR-FPPK37X8-L-FLEX-LP-ST | 115k | \$1886.66 | 2 bags | 40lbs |
| 49" x 8" x 5-1/2" | 48" | TOR-FPPK49X8-L-FLEX-LP-ST | 150k | \$2039.14 | 2 bags | 50lbs |
| 61" x 8" x 5-1/2" | 60" | TOR-FPPK61X8-L-FLEX-LP-ST | 175k | \$2649.12 | 2 bags | 60lbs |

MLFPPK Series - Match-Lit Ignition

| Insert Size* | Burner Sz. | SKU - TORPEDO BURNER | BTU | MSRP | Rock | Glass |
|-------------------|------------|--------------------------|-----|----------|--------|-------|
| 25" x 8" x 5-1/2" | 24" | TOR-MLFPPK25X8-L-FLEX-NG | 65k | \$606.06 | 1 bag | 30lbs |
| 37" x 8" x 5-1/2" | 36" | TOR-MLFPPK37X8-L-FLEX-NG | 65k | \$703.81 | 2 bags | 40lbs |
| 49" x 8" x 5-1/2" | 48" | TOR-MLFPPK49X8-L-FLEX-NG | 65k | \$866.7 | 2 bags | 50lbs |

MLFPPK Series - Match-Lit Ignition - Small Tank

| Insert Size* | Burner Sz. | SKU - TORPEDO BURNER | BTU | MSRP | Rock | Glass |
|-------------------|------------|-----------------------------|-----|-----------|--------|-------|
| 25" x 8" x 5-1/2" | 24" | TOR-MLFPPK25X8-L-FLEX-LP-ST | 65k | \$791.81 | 1 bag | 30lbs |
| 37" x 8" x 5-1/2" | 36" | TOR-MLFPPK37X8-L-FLEX-LP-ST | 65k | \$889.55 | 2 bags | 40lbs |
| 49" x 8" x 5-1/2" | 48" | TOR-MLFPPK49X8-L-FLEX-LP-ST | 65k | \$1045.93 | 2 bags | 50lbs |

*Insert Size: Insert height includes 1-1/2" pan depth.



EI HI/LO Smart App Controlled



EI ON/OFF



Push Button Ignition



Match Lit Ignition



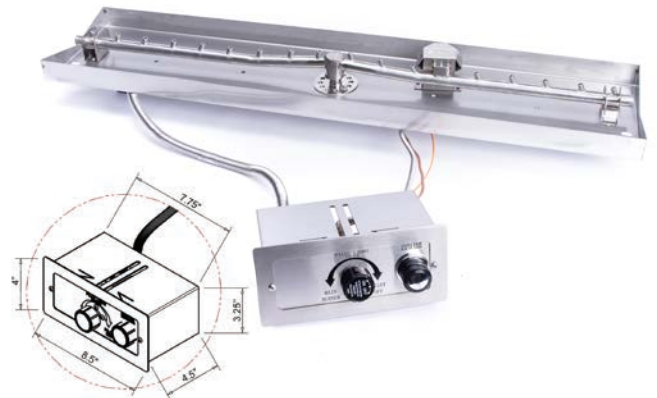


ELECTRONIC IGNITION



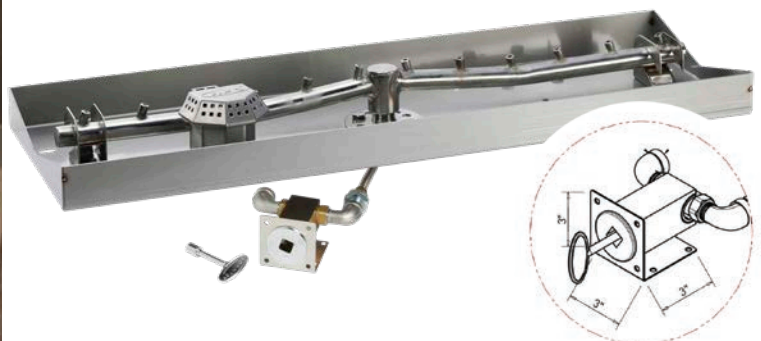
These fire pits are available as ON/OFF or HI/LO. The former is a simple remote-activated on or off switch, whereas the HI/LO can be controlled via Bluetooth and allows for adjustable flame height. Can also be set on install with trimmer valve.

PUSH BUTTON IGNITION



Push button fire pits are controlled using a simple knob and button on a stainless steel valve box and features a flame-sensing system to turn off gas if flame is lost.

MATCH LIT IGNITION

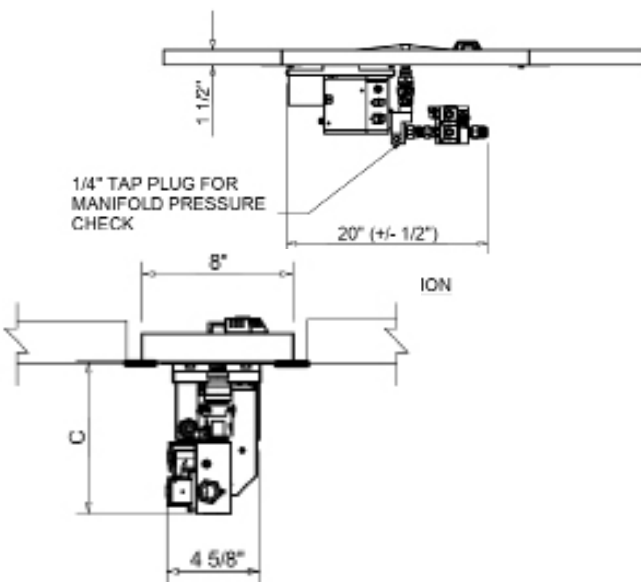


Match lit fire pits are ignited simply by turning the key valve and lighting the gas with a lighter.

INTERLINK *(cont.)*

Electronic Ignition - Specifications

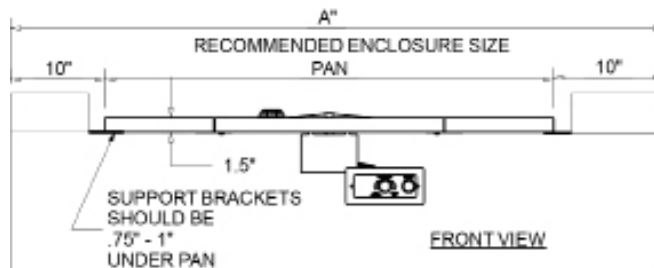
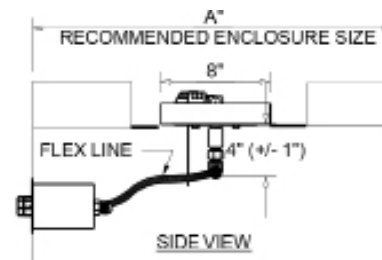
| PART NUMBER | BTU | DIMENSION CHART | | |
|-----------------|------|-----------------|--------|--------------|
| | | PAN | BURNER | C (+/- 1/2") |
| TOR-25X8SSEI-L | 75K | 25" | 24" | 7-3/4 |
| TOR-37X8SSEI-L | 115K | 37" | 36" | 7-3/4 |
| TOR-49X8SSEI-L | 150K | 49" | 48" | 7-3/4 |
| TOR-61X8SSEI-L | 175K | 61" | 60" | 7-3/4 |
| TOR-73X8SSEI-L | 200K | 73" | 72" | 7-3/4 |
| TOR-97X8SSEI-L | 300K | 97" | 96" | 7-3/4 |
| TOR-121X8SSEI-L | 300K | 121" | 120" | 7-3/4 |



FRONT ELEVATION

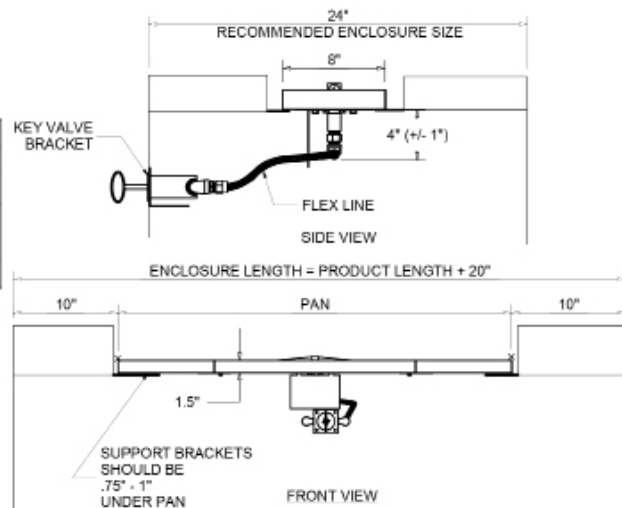
Push Button Ignition - Specifications

| PART NUMBER | PAN | DIMENSION CHART | | |
|---------------------|-----|-------------------------|---------|--------------------------|
| | | STANDARD BTU TORPEDO | A* | STND FLEX LINE LENGTH |
| | | | | |
| TOR-FPPK37X8-L-FLEX | 37" | 115K | 57LX24W | 36" |
| TOR-FPPK49X8-L-FLEX | 49" | 150K | 69LX24W | 36" |
| TOR-FPPK61X8-L-FLEX | 61" | 175K | 81LX24W | 36" |
| TOR-FPPK73X8-L-FLEX | 73" | 200K | 93LX24W | 36" |



Match Lit Ignition - Specifications

| PART NUMBER | PAN | DIMENSION CHART | | |
|------------------------|-------|-------------------------------|--------------------------|------------------------|
| | | STANDARD BTU PENTA TORPEDO | STND FLEX LINE LENGTH | |
| | | | | TOR-MLFPPK24-TRGH-FLEX |
| TOR-MLFPPK36-TRGH-FLEX | 36.5" | 65K | 65K | 36" |
| TOR-MLFPPK48-TRGH-FLEX | 48.5" | 65K | 65K | 36" |



OUTDOOR FIREPLACES

CERTIFIED FIRE PIT INSERTS

Our certified fireplace inserts are sure to make an impact in your outdoor living space. Available in two distinctive styles and designed ideally for retrofit or new construction, these burners pair exceptionally well with our ceramic log sets.

Installation Considerations

- For outdoor use ONLY
- For use with fixed piping systems only; not for use with small tanks
- Select a location that allows for easy access for installation and maintenance
- Maintain 18" of vertical space and 18" of depth in fireplace cavity
- Consult product instructions for fireplace cavity width



BENEFITS

- Low profile with multiple media choices
- Weather resistant valve
- Fully assembled, commercial grade, CSA-certified fireplace insert

FEATURES

- Adjustable feet for burner height changes
- Bluetooth control (on select models)
- Weep holes for water drainage

SPECIFICATIONS

- Composed of black powder-coated stainless steel

Need LP or 24-Volt Models?

Change "NG" to "LP" in SKU for liquid propane applications
Change "120VAC" to "24VAC" in SKU for 24-V applications

Dual Step - Electronic Ignition

| Insert Size | Burner Sz. | SKU | BTU | MSRP |
|----------------|------------|--------------------|------|-----------|
| 22" x 10" x 3" | 21" | DBOF22EI-NG/120VAC | 90k | \$2191.33 |
| 28" x 10" x 3" | 27" | DBOF28EI-NG/120VAC | 110k | \$2248.36 |

Dual Step - Push Button Ignition

| Insert Size | Burner Sz. | SKU | BTU | MSRP |
|----------------|------------|---------------|------|----------|
| 27" x 11" x 3" | 21" | DBOF27PBFS-NG | 90k | \$849.89 |
| 33" x 11" x 3" | 27" | DBOF33PBFS-NG | 110k | \$909.61 |

Linear - Electronic Ignition

| Insert Size | Burner Sz. | SKU | BTU | MSRP |
|---------------|------------|--------------------------|------|-----------|
| 22" x 6" x 3" | 21" | LBOF22EI-HI/LO-NG/120VAC | 50k | \$2731.68 |
| 38" x 6" x 3" | 27" | LBOF28EI-HI/LO-NG/120VAC | 75k | \$2804.95 |
| 46" x 6" x 3" | 45" | LBOF46EI-HI/LO-NG/120VAC | 100k | \$2875.54 |
| 58" x 6" x 3" | 57" | LBOF58EI-HI/LO-NG/120VAC | 110k | \$3008.62 |
| 70" x 6" x 3" | 69" | LBOF70EI-HI/LO-NG/120VAC | 120k | \$3122.65 |
| 82" x 6" x 3" | 81" | LBOF82EI-HI/LO-NG/120VAC | 130k | \$3234 |

Linear - Push Button Ignition

| Insert Size | Burner Sz. | SKU | BTU | MSRP |
|----------------|------------|---------------|------|-----------|
| 27" x 11" x 3" | 21" | LBOF27PBFS-NG | 50k | \$811.89 |
| 33" x 11" x 3" | 27" | LBOF33PBFS-NG | 75k | \$844.46 |
| 51" x 11" x 3" | 45" | LBOF51PBFS-NG | 100k | \$923.23 |
| 63" x 11" x 3" | 57" | LBOF63PBFS-NG | 110k | \$1037.27 |
| 75" x 11" x 3" | 69" | LBOF75PBFS-NG | 120k | \$1124.15 |
| 87" x 11" x 3" | 81" | LBOF87PBFS-NG | 130k | \$1227.32 |



Dual Step EI Burner



Linear EI Burner

KITS AVAILABLE!

Fireplace kits are available, including burner, grate, and logs. See page 75 for a chart containing all of the relevant part numbers!

Adjustable Feet



High Setting



Low Setting



ALUMINUM BOWL

COMPLETE FIRE FEATURES

HPC's new lightweight aluminum bowl offers an aesthetic appeal while boasting a powerful flame and a superior ignition system.

Installation Considerations

- Ensure bowl is placed on level ground
- Do not block precut ventilation on bottom of bowl
- Natural gas: minimum 3.5" W.C.; Maximum 7.0"
- Liquid propane: minimum 8.0" W.C.; Maximum 11.0"



BENEFITS

- Extremely lightweight
- Sleek, modern look without the hassle of actual concrete
- Easy handling

FEATURES

- Built-in ventilation
- Two powder-coat finishes to choose from
- Lip pan separates from bowl

SPECIFICATIONS

- Made with spun 502 aluminum
- Available with Match-Lit or Electronic Ignition control systems

Need LP or 24-Volt Models?

Change "NG" to "LP" in SKU for liquid propane applications
Change "120VAC" to "24VAC" in SKU for 24-V applications

HI/LO Series - Electronic Ignition

| Finish | Bowl Size |
|----------|-----------------|
| Concrete | ø 35" x 14-1/2" |
| Walnut | ø 35" x 14-1/2" |

| SKU - STANDARD BURNER | BTU | MSRP |
|----------------------------|------|-----------|
| STONE30EI-HI/LO-NG/120VAC | 125k | \$4303.12 |
| WALNUT30EI-HI/LO-NG/120VAC | 125k | \$4303.12 |

| SKU - TORPEDO BURNER | BTU | MSRP |
|--------------------------------|------|-----------|
| TOR-STONE30EI-HI/LO-NG/120VAC | 125k | \$4733.42 |
| TOR-WALNUT30EI-HI/LO-NG/120VAC | 125k | \$4733.42 |

| Rock | Glass |
|--------|-------|
| 2 bags | 90lbs |
| 2 bags | 90lbs |

ON/OFF Series - Electronic Ignition

| Finish | Bowl Size |
|----------|-----------------|
| Concrete | ø 35" x 14-1/2" |
| Walnut | ø 35" x 14-1/2" |

| SKU - STANDARD BURNER | BTU | MSRP |
|-----------------------|------|-----------|
| STONE30EI-NG/120VAC | 125k | \$4048.86 |
| WALNUT30EI-NG/120VAC | 125k | \$4048.86 |

| SKU - TORPEDO BURNER | BTU | MSRP |
|--------------------------|------|-----------|
| TOR-STONE30EI-NG/120VAC | 125k | \$4454.99 |
| TOR-WALNUT30EI-NG/120VAC | 125k | \$4454.99 |

| Rock | Glass |
|--------|-------|
| 2 bags | 90lbs |
| 2 bags | 90lbs |

MLFPK Series - Match-Lit Ignition

| Finish | Bowl Size |
|----------|-----------------|
| Concrete | ø 35" x 14-1/2" |
| Walnut | ø 35" x 14-1/2" |

| SKU - STANDARD BURNER | BTU | MSRP |
|-----------------------|-----|-----------|
| STONE30MLFPK-NG | 65k | \$2055.38 |
| WALNUT30MLFPK-NG | 65k | \$2055.38 |

| SKU - TORPEDO BURNER | BTU | MSRP |
|----------------------|-----|-----------|
| TOR-STONE30MLFPK-NG | 65k | \$2466.45 |
| TOR-WALNUT30MLFPK-NG | 65k | \$2466.45 |

| Rock | Glass |
|--------|-------|
| 2 bags | 90lbs |
| 2 bags | 90lbs |



FINISH OPTIONS

The Aluminum Bowl series is available with two finishes: concrete and walnut. The former resembles real concrete without any of the hassle, and the latter offers a wooden aesthetic for those who prefer a warmer look over the concrete's sleek, modern appearance. Walnut finish pictured above.

The Aluminum Bowl includes built-in ventilation along the bottom ring of the bowl and a precut hole at its base for running a gas line. The pan separates from the bowl easily to simplify maintenance.



COPPER BOWLS

COMPLETE FIRE FEATURES

Our beautiful Copper Bowls are the perfect addition to an elegant backyard. Available in a variety of shapes, sizes, and with different finishes to choose from, there is no shortage of customization when it comes to amplifying your outdoor living space with a copper bowl.

Installation Considerations

- Ensure bowl is placed on level ground
- For bowls that do not have ventilation, spacers are provided. Bowl needs to be raised with a minimum of 3/4" gap & a minimum of 6" diameter hole in bottom
- 12VAC models require HPC/SEBCO 12VAC 100W power supply for copper ONLY



BENEFITS

- Beautiful hammered / smooth & oil-rubbed copper finish
- Built-in ventilation or spacers provided
- Access doors for convenient maintenance

FEATURES

- Many bowls are available with water scuppers for poolside applications
- Standard and Torpedo burner varieties are available

SPECIFICATIONS

- Poolside Fire & Water bowls use 1" FIP fitting for pool pump connection
- 12V models available for poolside applications

Mesa Series - Electronic Ignition

| Bowl Size | Bowl Type | SKU - STANDARD BURNER | BTU | MSRP |
|-------------|--------------|-----------------------|-----|-----------|
| ø 32" x 15" | Fire | MESA32-EI-NG/120VAC | 50k | \$6177.84 |
| ø 32" x 15" | Fire & Water | MESA32W-EI-NG/12VAC | 50k | \$6643.84 |

| SKU - TORPEDO BURNER | BTU | MSRP | Rock | Glass |
|-------------------------|-----|-----------|--------|-------|
| TOR-MESA32-EI-NG/120VAC | 50k | \$6795.63 | 2 bags | 30lbs |
| TOR-MESA32W-EI-NG/12VAC | 50k | \$7166.82 | 2 bags | 30lbs |

Mesa Series - Match Lit

| Bowl Size | Bowl Type | SKU - STANDARD BURNER | BTU | MSRP |
|-------------|--------------|-----------------------|-----|-----------|
| ø 32" x 15" | Fire | MESA32-MLFPK-NG | 50k | \$4264.43 |
| ø 32" x 15" | Fire & Water | MESA32W-MLFPK-NG | 50k | \$4847.79 |

| SKU - TORPEDO BURNER | BTU | MSRP | Rock | Glass |
|----------------------|-----|-----------|--------|-------|
| TOR-MESA32-MLFPK-NG | 50k | \$5117.31 | 2 bags | 30lbs |
| TOR-MESA32W-MLFPK-NG | 50k | \$5817.35 | 2 bags | 30lbs |



Sedona Series - Electronic Ignition

| Bowl Size | Bowl Type | SKU - STANDARD BURNER | BTU | MSRP |
|-----------------|--------------|-----------------------|------|-----------|
| 40" x 40" x 16" | Fire | SEDO40-EI-NG/120VAC | 100k | \$7984.63 |
| 40" x 40" x 16" | Fire & Water | SEDO40W-EI-NG/12VAC | 100k | \$8611.57 |

| SKU - TORPEDO BURNER | BTU | MSRP | Rock | Glass |
|-------------------------|------|-----------|--------|-------|
| TOR-SEDO40-EI-NG/120VAC | 100k | \$8783.09 | 2 bags | 60lbs |
| TOR-SEDO40W-EI-NG/12VAC | 100k | \$9290.78 | 2 bags | 60lbs |

Sedona Series - Match Lit

| Bowl Size | Bowl Type | SKU - STANDARD BURNER | BTU | MSRP |
|-----------------|--------------|-----------------------|-----|-----------|
| 40" x 40" x 16" | Fire | SEDO40-MLFPK-NG | 50k | \$6269.3 |
| 40" x 40" x 16" | Fire & Water | SEDO40W-MLFPK-NG | 50k | \$6735.14 |

| SKU - TORPEDO BURNER | BTU | MSRP | Rock | Glass |
|----------------------|-----|-----------|--------|-------|
| TOR-SEDO40-MLFPK-NG | 65k | \$7523.16 | 2 bags | 60lbs |
| TOR-SEDO40W-MLFPK-NG | 65k | \$8082.17 | 2 bags | 60lbs |





🔥 Tempe Series - Electronic Ignition

| Bowl Size | Bowl Type | SKU - STANDARD BURNER | BTU | MSRP | SKU - TORPEDO BURNER | BTU | MSRP | Rock | Glass |
|---------------|--------------|-----------------------|-----|-----------|-------------------------|-----|-----------|--------|-------|
| ø 31" x 10.5" | Fire | TEMP31-EI-NG/120VAC | 50k | \$4732.41 | TOR-TEMP31-EI-NG/120VAC | 50k | \$5205.65 | 2 bags | 40lbs |
| ø 31" x 10.5" | Fire & Water | TEMP31W-EI-NG/12VAC | 50k | \$5080.7 | TOR-TEMP31W-EI-NG/12VAC | 50k | \$5481.07 | 2 bags | 40lbs |

🔥 Tempe Series - Match Lit

| Bowl Size | Bowl Type | SKU - STANDARD BURNER | BTU | MSRP | SKU - TORPEDO BURNER | BTU | MSRP | Rock | Glass |
|---------------|--------------|-----------------------|-----|-----------|----------------------|-----|-----------|--------|-------|
| ø 31" x 10.5" | Fire | TEMP31-MLFPK-NG | 50k | \$3276.12 | TOR-TEMP31-MLFPK-NG | 50k | \$3931.35 | 2 bags | 40lbs |
| ø 31" x 10.5" | Fire & Water | TEMP31W-MLFPK-NG | 50k | \$3704.98 | TOR-TEMP31W-MLFPK-NG | 50k | \$4445.98 | 2 bags | 40lbs |



🔥 Sierra Series - Electronic Ignition

| Bowl Size | Bowl Type | SKU - STANDARD BURNER | BTU | MSRP | SKU - TORPEDO BURNER | BTU | MSRP | Rock | Glass |
|-----------------|--------------|-----------------------|-----|-----------|-------------------------|-----|-----------|--------|-------|
| 36" x 36" x 16" | Fire | SIER36-EI-NG/120VAC | 50k | \$7878.01 | TOR-SIER36-EI-NG/120VAC | 50k | \$8665.8 | 2 bags | 40lbs |
| 36" x 36" x 16" | Fire & Water | SIER36W-EI-NG/12VAC | 50k | \$8134.83 | TOR-SIER36W-EI-NG/12VAC | 50k | \$8775.93 | 2 bags | 40lbs |

🔥 Sierra Series - Match Lit

| Bowl Size | Bowl Type | SKU - STANDARD BURNER | BTU | MSRP | SKU - TORPEDO BURNER | BTU | MSRP | Rock | Glass |
|-----------------|--------------|-----------------------|-----|-----------|----------------------|-----|-----------|--------|-------|
| 40" x 40" x 16" | Fire | SIER36-MLFPK-NG | 50k | \$6201.81 | TOR-SIER36-MLFPK-NG | 50k | \$7442.17 | 2 bags | 40lbs |
| 40" x 40" x 16" | Fire & Water | SIER36W-MLFPK-NG | 50k | \$6643.73 | TOR-SIER36W-MLFPK-NG | 50k | \$7972.47 | 2 bags | 40lbs |

🔥 Phoenix Series - Electronic Ignition

| Bowl Size | Burner Type | SKU - STANDARD BURNER | BTU | MSRP | SKU - TORPEDO BURNER | BTU | MSRP | Rock | Glass |
|-----------------|---------------|-----------------------|-----|------|--------------------------------|------|------------|--------|-------|
| 47" x 25" x 18" | H-Burner | - | - | - | TOR-PHOEN47X25/H-EI-NG/120VAC | 100k | \$11230.34 | 2 bags | 60lbs |
| 47" x 25" x 18" | Linear Burner | - | - | - | TOR-PHOEN47X25/TRGH-EI-NG/120V | 75k | \$11486.56 | 2 bags | 60lbs |

🔥 Phoenix Series - Push Button Ignition

| Bowl Size | Bowl Type | SKU - STANDARD BURNER | BTU | MSRP | SKU - TORPEDO BURNER | BTU | MSRP | Rock | Glass |
|-----------------|---------------|-----------------------|-----|------|------------------------------|-----|------------|--------|-------|
| 47" x 25" x 18" | H-Burner | - | - | - | TOR-PHOEN47X25/HBURN-FPPK-NG | 90k | \$11020.9 | 2 bags | 60lbs |
| 47" x 25" x 18" | Linear Burner | - | - | - | TOR-PHOEN47X25/TRGH-FPPK-NG | 75k | \$11300.39 | 2 bags | 60lbs |

🔥 Phoenix Series - Match Lit

| Bowl Size | Bowl Type | SKU - STANDARD BURNER | BTU | MSRP | SKU - TORPEDO BURNER | BTU | MSRP | Rock | Glass |
|-----------------|---------------|-----------------------|-----|------|-------------------------------|-----|------------|--------|-------|
| 47" x 25" x 18" | H-Burner | - | - | - | TOR-PHOEN47X25/HBURN-MLFPK-NG | 65k | \$10352.2 | 2 bags | 60lbs |
| 47" x 25" x 18" | Linear Burner | - | - | - | TOR-PHOEN47X25/TRGH-MLFPK-NG | 65k | \$10631.71 | 2 bags | 60lbs |



EVOLUTION 360

COMPLETE FIRE FEATURES

HPC's Vesta award-winning fire & water feature. Available in a Fire on Water "H2Onfire" variant, the first of its kind to be certified in North America, passing stringent wind, rain, and combustion tests.

Installation Considerations

- Ensure bowl is placed on level ground or utilize leg levellers
- When building enclosure, allow for maintenance access
- The Evolution 360 must be winterized



BENEFITS

- Remote control w/ auto re-light
- Operates under 1/4 psi, allowing for residential installations

FEATURES

- LED lighting
- Available with water scuppers or 360 degree water flow
- Adjustable levelling feet

SPECIFICATIONS

- Includes basin, 26" copper water bowl, and EI fire pit

* Optional remote available: 578-G4

Evolution 360 - Electronic Ignition

| Bowl Size | Bowl Type | SKU - STANDARD BURNER | BTU | MSRP | Rock | Glass |
|-------------|-----------|-----------------------|-----|------------|-------|-------|
| ø 52" x 30" | 4 Scupper | WB52R-TEMP4-EI-NG | 90k | \$12197.58 | 1 bag | 20lbs |
| ø 52" x 30" | 360 | WB52R-TEMP360-EI-NG | 90k | \$13191.91 | 1 bag | 20lbs |



H2Ofire - Electronic Ignition

| Bowl Size | Bowl Type | SKU - STANDARD BURNER | BTU | MSRP | Rock | Glass |
|-------------|-----------|------------------------|-----|------------|-------|-------|
| ø 52" x 30" | Copper | FOW52R-CYPRUS360-EI-NG | 65k | \$15092.09 | 1 bag | 20lbs |



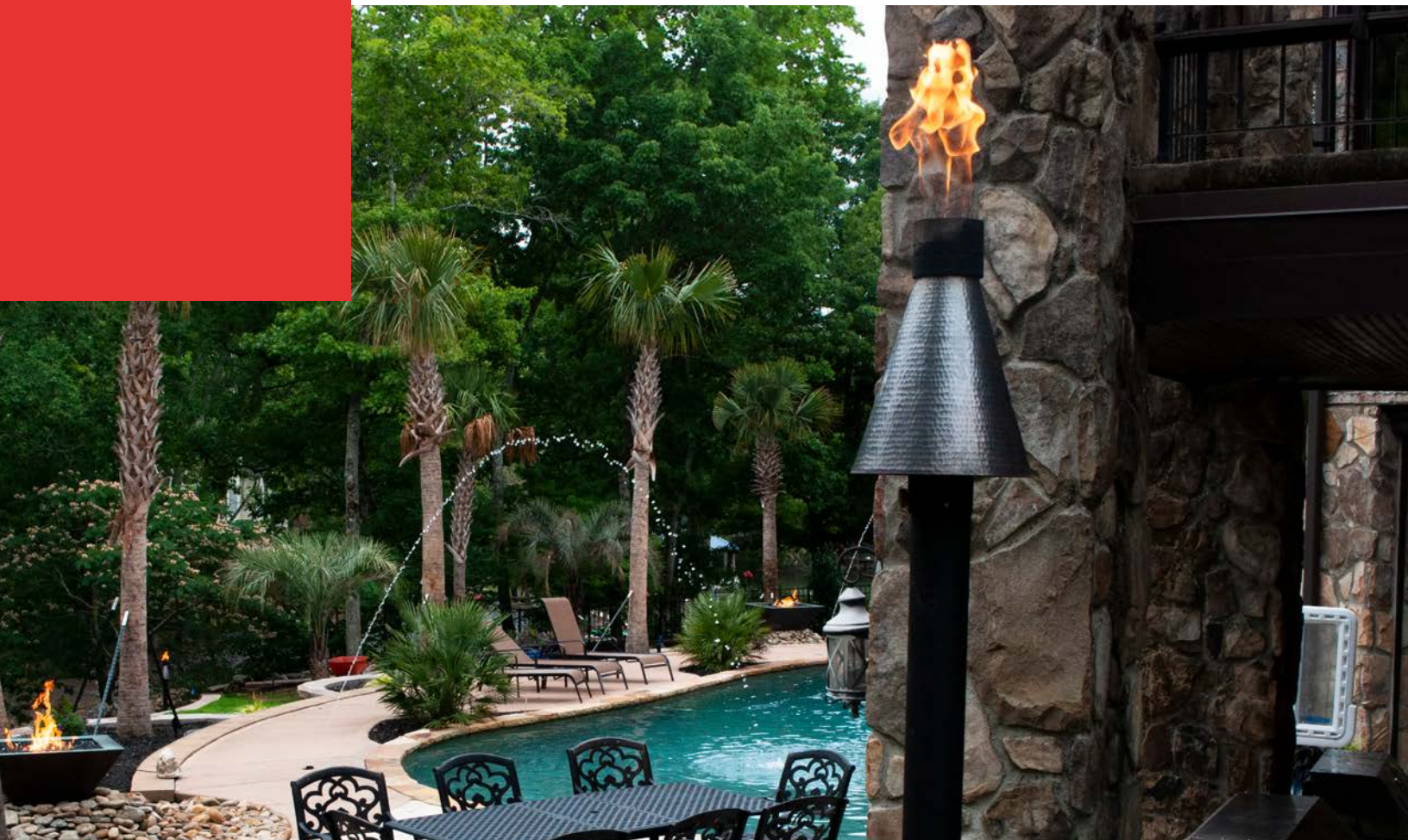
TK TORCH

COMPLETE FIRE FEATURES

Our TK Torches bring resort style living to your backyard without having to handle fuel or gels. They are robust, reliable, and built to last.

Installation Considerations

- 12" of the pole is to be buried underground



BENEFITS

- Sturdy torch pole / cap while maintaining a classic look
- Powerful flame for size

FEATURES

- Black powder coated pole
- Hammered copper or powder coated black torch head
- Easy-to-use match lit controls are just like lighting a candle

SPECIFICATIONS

- 96" post (when applicable)
- Burner assembly is #304 stainless steel for durability

MLFPK Series - Match Lit Ignition

| Finish | Style | Bowl Size | SKU | BTU | MSRP |
|--------|---------------|------------|------------------|-----|----------|
| Black | Post Included | ø 9" x 96" | TK40MAN-B-NG | 25k | \$977.8 |
| Black | Head Only | ø 9" x 12" | TKHEAD40MAN-B-NG | 25k | \$671.03 |
| Copper | Post Included | ø 9" x 96" | TK40MAN-C-NG | 25k | \$977.8 |
| Copper | Head Only | ø 9" x 12" | TKHEAD40MAN-C-NG | 25k | \$671.03 |



SPORT PIT

COMPLETE FIRE FEATURES

For tailgaters and outdoor adventurers alike, the Sport Pit is a safe, reliable, and portable fire pit.

Installation Considerations

- Ensure Sport Pit is placed on level ground
- HPC recommends at least 10ft of space between Sport Pit and propane tank



BENEFITS

- Extremely lightweight and portable
- Easy transportation with spin on lid and handle
- Fire glass included

FEATURES

- Tip-over switch for automatic shutoff
- LP tank covers are available

SPECIFICATIONS

- 13 hour burn time with 20lb tank
- Built-in regulator with 13 foot hose

Match Lit - Sport Pit

| Finish | Bowl Size | SKU - STANDARD BURNER | BTU | MSRP |
|--------|-------------|-----------------------|-----|---------|
| Black | ø 20" x 13" | SPORTPIT20-BLK | 37k | \$787.5 |

A FIRE PIT FOR THOSE WHO WANDER

The Sport Pit is the perfect fire pit for anyone who frequents tailgates or campgrounds. Lightweight, perfectly portable, and aesthetically pleasing, all while offering a solid flame, this fire pit makes a great gift. Customize it with a sticker from your favorite athletics team or outdoor brand and put it in the back of the camper! Includes lid with handle, fire glass, and hose for gas connection. Burns for 13 hours on a 20lb liquid propane tank.



LP Small Tank Cover

| SKU | MSRP |
|----------|---------|
| ST-COVER | \$47.33 |

A logoed cover that fits over a small propane tank. Velcro flap allows hose access. Can be used with any LP model HPC products. Flat top can be used to set lightweight objects on top.



MATCH LIT KITS

FIRE PIT KITS & DIY UNITS

NOW INCLUDING PANS! HPC's uncertified match lit kits are the perfect solution for anyone looking for a match lit fire pit in sizes that are not typically offered. Although they are not certified by CSA, they are still completely safe-- they are simply classified as a "high pressure" unit.

Installation Considerations

- Minimum of 2" clearance between bottom of insert and ground is required
- No more than two sides should be enclosed
- 48" clearance from wall to insert
- Minimum two sides ventilated
- Minimum 50% free air space within enclosure



BENEFITS

- Uncertified match lit kits are capable of surpassing the BTU limit set by CSA certification standards while still being safe and family-friendly.

FEATURES

- Includes everything you need to put a fire pit together: burner, pan, valve w/ chrome flange, flex line, and fittings.
- Raised hub for water mitigation
- Weep holes for drainage

SPECIFICATIONS

- Made of #304, 18 gauge stainless steel

🔥 Round Flat - Uncertified Match Lit Kits

| Insert Size | Burner Sz. | SKU - STANDARD BURNER | BTU | MSRP | SKU - TORPEDO BURNER | BTU | MSRP | Rock | Glass |
|-----------------|------------|-----------------------|------|------------|----------------------|------|------------|--------|--------|
| ø 18" x 10-1/4" | 12" | CFPK/PENTA12 KIT | 65k | \$331.76 | TOR-CFPK/PENTA12 KIT | 65k | \$381.53 | 2 bags | 30lbs |
| ø 24" x 10-1/4" | 18" | CFPK/PENTA18 KIT | 125k | \$414.08 | TOR-CFPK/PENTA18 KIT | 140k | \$476.19 | 2 bags | 50lbs |
| ø 30" x 12-1/4" | 24" | CFPK/PENTA24 KIT | 200k | \$537.42 | TOR-CFPK/PENTA24 KIT | 225k | \$618.04 | 2 bags | 80lbs |
| ø 36" x 13-1/4" | 30" | CFPK/PENTA30 KIT | 300k | \$700.36 | TOR-CFPK/PENTA30 KIT | 250k | \$805.41 | 4 bags | 110lbs |
| ø 42" x 14-1/4" | 36" | CFPK/PENTA36 KIT | 350k | \$870.23 | TOR-CFPK/PENTA36 KIT | 350k | \$1,000.76 | 4 bags | 150lbs |
| ø 54" x 14-1/4" | 48" | CFPK/PENTA48 KIT | 400k | \$1,234.18 | TOR-CFPK/PENTA48 KIT | 400k | \$1,418.02 | 6 bags | 250lbs |

🔥 Square Flat - Uncertified Match Lit Kits

| Insert Size | Burner Sz. | SKU - STANDARD BURNER | BTU | MSRP | SKU - TORPEDO BURNER | BTU | MSRP | Rock | Glass |
|---------------------|------------|-----------------------|------|----------|-------------------------|------|------------|--------|--------|
| 18" x 18" x 10-1/4" | 12" | CFPK/PENTA12-SQ KIT | 65k | \$331.76 | TOR-CFPK/PENTA12-SQ KIT | 65k | \$381.53 | 2 bags | 20lbs |
| 24" x 24" x 10-1/4" | 18" | CFPK/PENTA18-SQ KIT | 125k | \$414.08 | TOR-CFPK/PENTA18-SQ KIT | 140k | \$476.19 | 2 bags | 30lbs |
| 30" x 30" x 12-1/4" | 24" | CFPK/PENTA24-SQ KIT | 200k | \$537.42 | TOR-CFPK/PENTA24-SQ KIT | 225k | \$618.04 | 2 bags | 50lbs |
| 36" x 36" x 13-1/4" | 30" | CFPK/PENTA30-SQ KIT | 300k | \$700.36 | TOR-CFPK/PENTA30-SQ KIT | 250k | \$805.41 | 6 bags | 70lbs |
| 42" x 42" x 14-1/4" | 36" | CFPK/PENTA36-SQ KIT | 350k | \$870.33 | TOR-CFPK/PENTA36-SQ KIT | 350k | \$1,000.88 | 6 bags | 100lbs |

🔥 Trough - Uncertified Match Lit Kits

| Insert Size | Burner Sz. | SKU - TORPEDO BURNER | BTU | MSRP | Rock | Glass |
|--------------------|------------|----------------------|------|------------|--------|-------|
| 24" x 8" x 10-1/4" | 24" | TOR-CFPK/TRGH24 KIT | 75k | \$496.65 | 1 bag | 20lbs |
| 36" x 8" x 10-1/4" | 36" | TOR-CFPK/TRGH36 KIT | 115k | \$566.89 | 2 bags | 30lbs |
| 48" x 8" x 10-1/4" | 48" | TOR-CFPK/TRGH48 KIT | 150k | \$718.52 | 2 bags | 40lbs |
| 60" x 8" x 10-1/4" | 60" | TOR-CFPK/TRGH60 KIT | 175k | \$1,360.30 | 2 bags | 50lbs |
| 72" x 8" x 10-1/4" | 72" | TOR-CFPK/TRGH72 KIT | 200k | \$1,774.70 | 2 bags | 60lbs |
| 96" x 8" x 10-1/4" | 96" | TOR-CFPK/TRGH96 KIT | 300k | \$2,149.10 | 2 bags | 80lbs |

🔥 Interlink - Uncertified Match Lit Kits

| Insert Size | Burner Sz. | SKU - TORPEDO BURNER | BTU | MSRP | Rock | Glass |
|---------------------|------------|--------------------------|------|------------|--------|--------|
| 25" x 8" x 10-1/4" | 24" | TOR-CFPK/LINEAR25x8 KIT | 75k | \$553.58 | 1 bag | 30lbs |
| 37" x 8" x 10-1/4" | 36" | TOR-CFPK/LINEAR37x8 KIT | 115k | \$621.45 | 2 bags | 40lbs |
| 49" x 8" x 10-1/4" | 48" | TOR-CFPK/LINEAR49x8 KIT | 150k | \$770.03 | 2 bags | 50lbs |
| 61" x 8" x 10-1/4" | 60" | TOR-CFPK/LINEAR61x8 KIT | 175k | \$1,164.18 | 2 bags | 60lbs |
| 73" x 8" x 10-1/4" | 72" | TOR-CFPK/LINEAR73x8 KIT | 200k | \$1,502.67 | 4 bags | 70lbs |
| 97" x 8" x 10-1/4" | 96" | TOR-CFPK/LINEAR97x8 KIT | 300k | \$1,692.47 | 4 bags | 90lbs |
| 121" x 8" x 10-1/4" | 120" | TOR-CFPK/LINEAR121x8 KIT | 300k | \$2,049.92 | 6 bags | 110lbs |

🔥 H-Burner - Uncertified Match Lit Kits

| Insert Size | Burner Sz. | SKU - TORPEDO BURNER | BTU | MSRP | Rock | Glass |
|---------------------|------------|----------------------|------|------------|--------|---------|
| 24" x 12" x 10-1/4" | 18" x 6" | TOR-CFPK/HBSB18 KIT | 115k | \$402.83 | 2 bags | 30lbs |
| 30" x 12" x 10-1/4" | 24" x 6" | TOR-CFPK/HBSB24 KIT | 150k | \$442.07 | 2 bags | 40 lbs |
| 36" x 14" x 10-1/4" | 30" x 8" | TOR-CFPK/HBSB30 KIT | 175k | \$596.72 | 2 bags | 60 lbs |
| 42" x 14" x 10-1/4" | 36" x 8" | TOR-CFPK/HBSB36 KIT | 200k | \$798.59 | 2 bags | 70 lbs |
| 54" x 16" x 10-1/4" | 48" x 10" | TOR-CFPK/HBSB48 KIT | 250k | \$1,012.17 | 4 bags | 90 lbs |
| 66" x 16" x 10-1/4" | 60" x 10" | TOR-CFPK/HBSB60 KIT | 300k | \$1,117.19 | 6 bags | 110 lbs |
| 78" x 16" x 10-1/4" | 72" x 10" | TOR-CFPK/HBSB72 KIT | 350k | \$1,836.41 | 6 bags | 130 lbs |
| 90" x 16" x 10-1/4" | 84" x 10" | TOR-CFPK/HBSB84 KIT | 400k | \$2,901.28 | 8 bags | 150 lbs |



WHY CHOOSE UNCERTIFIED?

Our uncertified Match Lit kits are available as a more powerful alternative to their certified counterparts. To meet CSA certification requirements, their orifices can only be made to allow 65k BTUs to flow through them. However, many residences or commercial sites prefer the convenience of a match lit fire pit or the ease of a kit while still boasting a big, warm flame. These uncertified kits are the perfect solution-- the same easy controls but with orifices allowing up to 400k BTUs.

These units include a burner, pan, valve w/ chrome flange, flex line, and fittings.



READY-TO-FINISH

FIRE PIT KITS & DIY UNITS

Blank canvasses for your backyard overhaul. These units are designed to be tiled, painted, or stone-clad however you'd like.

Installation Considerations

Enclosure Cladding SQ FT:

- 26.6 (45" round); 34.6 (54" round)
- 30.3 (45" octagon); 39 (54" octagon)
- 34 (45" square)
- 30.6 (60" + 30" insert); 29.5 (60" + 36" insert)
- 31.3 (60" + 37" insert); 30.5 (60" + 49" insert)



BENEFITS

- Strong HardieBoard walls
- Unfinished to allow any cladding to match your space
- Custom shapes and dimensions are available upon request

FEATURES

- Pre-cut ventilation
- Pre-cut push button or match lit install holes
- Pre-cut insert space

SPECIFICATIONS

- Variable stock sizes
- 18" tall enclosure for comfortable height near seating

Need LP or 24-Volt Models?

Change "NG" to "LP" in SKU for liquid propane applications
Change "120VAC" to "24VAC" in SKU for 24-V applications

🔥 Electronic Ignition - Ready to Finish Kits

| Enclosure Shape | Size | Insert Size |
|-----------------------|-----------------|-------------|
| Round | 45" x 18" | 25" bowl |
| Round | 54" x 18" | 25" bowl |
| Octagon | 45" x 18" | 25" bowl |
| Octagon | 54" x 18" | 25" bowl |
| Square | 45" x 45" x 18" | 25" bowl |
| Rectangle (H burner) | 60" x 24" x 18" | 30" x 12" |
| Rectangle (H burner) | 60" x 24" x 18" | 36" x 14" |
| Rectangle (Interlink) | 60" x 24" x 18" | 37" x 8" |
| Rectangle (Interlink) | 60" x 24" x 18" | 49" x 8" |
| Rectangle (Trough) | 60" x 24" x 18" | 36" x 8" |
| Rectangle (Trough) | 60" x 24" x 18" | 48" x 8" |

| SKU - STANDARD BURNER | BTU | MSRP |
|------------------------|------|-----------|
| U45R/25SSCEK-NG/120VAC | 125k | \$5375 |
| U54R/25SSCEK-NG/120VAC | 125k | \$5423.36 |
| U45O/25SSCEK-NG/120VAC | 125k | \$5319.08 |
| U54O/25SSCEK-NG/120VAC | 125k | \$5375 |
| U45S/25SSCEK-NG/120VAC | 125k | \$5280.92 |
| - | - | - |
| - | - | - |
| - | - | - |
| - | - | - |
| - | - | - |
| - | - | - |

| SKU - TORPEDO BURNER | BTU | MSRP |
|-------------------------------|------|-----------|
| TOR-U45R/25SSCEK-NG/120VAC | 125k | \$6450.01 |
| TOR-U54R/25SSCEK-NG/120VAC | 125k | \$6508.02 |
| TOR-U45O/25SSCEK-NG/120VAC | 125k | \$6382.91 |
| TOR-U54O/25SSCEK-NG/120VAC | 125k | \$6450.01 |
| TOR-U45S/25SSCEK-NG/120VAC | 125k | \$6337.1 |
| TOR-U60X24/30X12CEK-NG/120VAC | 150k | \$6679.86 |
| TOR-U60X24/36X14CEK-NG/120VAC | 175k | \$7041.54 |
| TOR-U60X24/37X8CEK-NG/120VAC | 115k | \$6422.43 |
| TOR-U60X24/49X8CEK-NG/120VAC | 150k | \$6679.86 |
| TOR-U60X24/36CEK-NG/120VAC | 115k | \$6748.25 |
| TOR-U60X24/48CEK-NG/120VAC | 150k | \$7021.99 |

🔥 Push Button Ignition - Ready to Finish Kits

| Enclosure Shape | Size | Insert Size |
|-----------------------|-----------------|-------------|
| Round | 45" x 18" | 25" bowl |
| Round | 54" x 18" | 25" bowl |
| Octagon | 45" x 18" | 25" bowl |
| Octagon | 54" x 18" | 25" bowl |
| Square | 45" x 45" x 18" | 25" bowl |
| Rectangle (H burner) | 60" x 24" x 18" | 30" x 12" |
| Rectangle (H burner) | 60" x 24" x 18" | 36" x 14" |
| Rectangle (Interlink) | 60" x 24" x 18" | 37" x 8" |
| Rectangle (Interlink) | 60" x 24" x 18" | 49" x 8" |
| Rectangle (Trough) | 60" x 24" x 18" | 36" x 8" |
| Rectangle (Trough) | 60" x 24" x 18" | 48" x 8" |

| SKU - STANDARD BURNER | BTU | MSRP |
|-----------------------|-----|-----------|
| U45R/FPPK25CEK-NG | 90k | \$4012.2 |
| U54R/FPPK25CEK-NG | 90k | \$4091.05 |
| U45O/FPPK25CEK-NG | 90k | \$3943.52 |
| U54O/FPPK25CEK-NG | 90k | \$4050.29 |
| U45S/FPPK25CEK-NG | 90k | \$3872.34 |
| - | - | - |
| - | - | - |
| - | - | - |
| - | - | - |
| - | - | - |
| - | - | - |

| SKU - TORPEDO BURNER | BTU | MSRP |
|----------------------------|------|-----------|
| TOR-U45R/FPPK25CEK-NG | 90k | \$4814.64 |
| TOR-U54R/FPPK25CEK-NG | 90k | \$4909.25 |
| TOR-U45O/FPPK25CEK-NG | 90k | \$4732.23 |
| TOR-U54O/FPPK25CEK-NG | 90k | \$4860.35 |
| TOR-U45S/FPPK25CEK-NG | 90k | \$4646.8 |
| TOR-U60X24/30X12FPPKCEK-NG | 150k | \$5115.76 |
| TOR-U60X24/36X14FPPKCEK-NG | 150k | \$5314.56 |
| TOR-U60X24/37X8FPPKCEK-NG | 115k | \$4425.01 |
| TOR-U60X24/49X8FPPKCEK-NG | 150k | \$4571.66 |
| TOR-U60X24/36FPPKCEK-NG | 115k | \$4499.89 |
| TOR-U60X24/48FPPKCEK-NG | 150k | \$4662.88 |



Round Enclosure



Square Enclosure



Octagon Enclosure



Rectangle Enclosure





Need LP or 24-Volt Models?

Change "NG" to "LP" in SKU for liquid propane applications
Change "120VAC" to "24VAC" in SKU for 24-V applications

Match Lit Ignition - Ready to Finish Kits

| Enclosure Shape | Size | Insert Size |
|-----------------------|-----------------|-------------|
| Round | 45" x 18" | 25" bowl |
| Round | 54" x 18" | 25" bowl |
| Octagon | 45" x 18" | 25" bowl |
| Octagon | 54" x 18" | 25" bowl |
| Square | 45" x 45" x 18" | 25" bowl |
| Rectangle (H burner) | 60" x 24" x 18" | 30" x 12" |
| Rectangle (H burner) | 60" x 24" x 18" | 36" x 14" |
| Rectangle (Interlink) | 60" x 24" x 18" | 37" x 8" |
| Rectangle (Interlink) | 60" x 24" x 18" | 49" x 8" |
| Rectangle (Trough) | 60" x 24" x 18" | 36" x 8" |
| Rectangle (Trough) | 60" x 24" x 18" | 48" x 8" |

| SKU - STANDARD BURNER | BTU | MSRP |
|-----------------------|-----|-----------|
| U45R/MLFPK25CEK-NG | 65k | \$3043.44 |
| U54R/MLFPK25CEK-NG | 65k | \$3112.12 |
| U45O/MLFPK25CEK-NG | 65k | \$2987.52 |
| U54O/MLFPK25CEK-NG | 65k | \$3099.37 |
| U45S/MLFPK25CEK-NG | 65k | \$2957.02 |
| - | - | - |
| - | - | - |
| - | - | - |
| - | - | - |
| - | - | - |
| - | - | - |

| SKU - TORPEDO BURNER | BTU | MSRP |
|-----------------------------|-----|-----------|
| TOR-U45R/MLFPK25CEK-NG | 65k | \$3652.15 |
| TOR-U54R/MLFPK25CEK-NG | 65k | \$3734.56 |
| TOR-U45O/MLFPK25CEK-NG | 65k | \$3585.02 |
| TOR-U54O/MLFPK25CEK-NG | 65k | \$3719.24 |
| TOR-U45S/MLFPK25CEK-NG | 65k | \$3548.41 |
| TOR-U60X24/30X12MLFPKCEK-NG | 65k | \$3515.81 |
| TOR-U60X24/36X14MLFPKCEK-NG | 65k | \$3809.12 |
| TOR-U60X24/37X8MLFPKCEK-NG | 65k | \$3173.69 |
| TOR-U60X24/49X8MLFPKCEK-NG | 65k | \$3336.67 |
| TOR-U60X24/36MLFPKCEK-NG | 65k | \$3173.78 |
| TOR-U60X24/48MLFPKCEK-NG | 65k | \$3336.67 |

Push Button Ignition Small Tank Series - Ready to Finish Kits

| Enclosure Shape | Size | Insert Size |
|-----------------------|-----------------|-------------|
| Round | 45" x 18" | 25" bowl |
| Square | 45" x 45" x 18" | 25" bowl |
| Rectangle (H burner) | 60" x 24" x 18" | 30" x 12" |
| Rectangle (Interlink) | 60" x 24" x 18" | 37" x 8" |
| Rectangle (Trough) | 60" x 24" x 18" | 36" x 8" |
| Rectangle (Trough) | 60" x 24" x 18" | 48" x 8" |

| SKU - STANDARD BURNER | BTU | MSRP |
|-----------------------|-----|-----------|
| UST60R/FPPK25CEK-LP | 90k | \$5808.22 |
| UST54S/FPPK25CEK-LP | 90k | \$5808.22 |
| - | - | - |
| - | - | - |
| - | - | - |
| - | - | - |

| SKU - TORPEDO BURNER | BTU | MSRP |
|------------------------------|-----|-----------|
| TOR-UST60R/FPPK25CEK-LP | 90k | \$6969.87 |
| TOR-UST54S/FPPK25CEK-LP | 90k | \$6969.87 |
| TOR-UST70X24/36X14FPPKCEK-LP | 90k | \$6200.83 |
| TOR-UST80X24/49X8FPPKCEK-LP | 90k | \$5884.76 |
| TOR-UST70X24/36FPPKCEK-LP | 90k | \$5689.27 |
| TOR-UST80X24/48FPPKCEK-LP | 90k | \$5764.25 |

Match Lit Ignition Small Tank Series - Ready to Finish Kits

| Enclosure Shape | Size | Insert Size |
|-----------------------|-----------------|-------------|
| Round | 45" x 18" | 25" bowl |
| Square | 45" x 45" x 18" | 25" bowl |
| Rectangle (H burner) | 60" x 24" x 18" | 30" x 12" |
| Rectangle (Interlink) | 60" x 24" x 18" | 37" x 8" |
| Rectangle (Trough) | 60" x 24" x 18" | 36" x 8" |
| Rectangle (Trough) | 60" x 24" x 18" | 48" x 8" |

| SKU - STANDARD BURNER | BTU | MSRP |
|-----------------------|-----|-----------|
| UST60R/MLFPK25CEK-LP | 65k | \$5167.35 |
| UST54S/MLFPK25CEK-LP | 65k | \$5167.42 |
| - | - | - |
| - | - | - |
| - | - | - |
| - | - | - |

| SKU - TORPEDO BURNER | BTU | MSRP |
|-------------------------------|-----|-----------|
| TOR-UST60R/MLFPK25CEK-LP | 65k | \$6200.83 |
| TOR-UST54S/MLFPK25CEK-LP | 65k | \$6200.9 |
| TOR-UST70X24/36X14MLFPKCEK-LP | 65k | \$4900.76 |
| TOR-UST80X24/49X8MLFPKCEK-LP | 65k | \$4956.11 |
| TOR-UST70X24/36MLFPKCEK-LP | 65k | \$4930.02 |
| TOR-UST80X24/48MLFPKCEK-LP | 65k | \$5005.01 |

PRE-CUT TO FINISH

All of our LP Small Tank Series Ready-to-Finish enclosures include a cutout + door for easy propane tank access, in addition to the pre-cut key valve / push-button holes when applicable.



BUILT TO LAST

Ready-to-Finish enclosures are made with Hardie Board backer boards and steel bracing for durable, long-lasting construction.



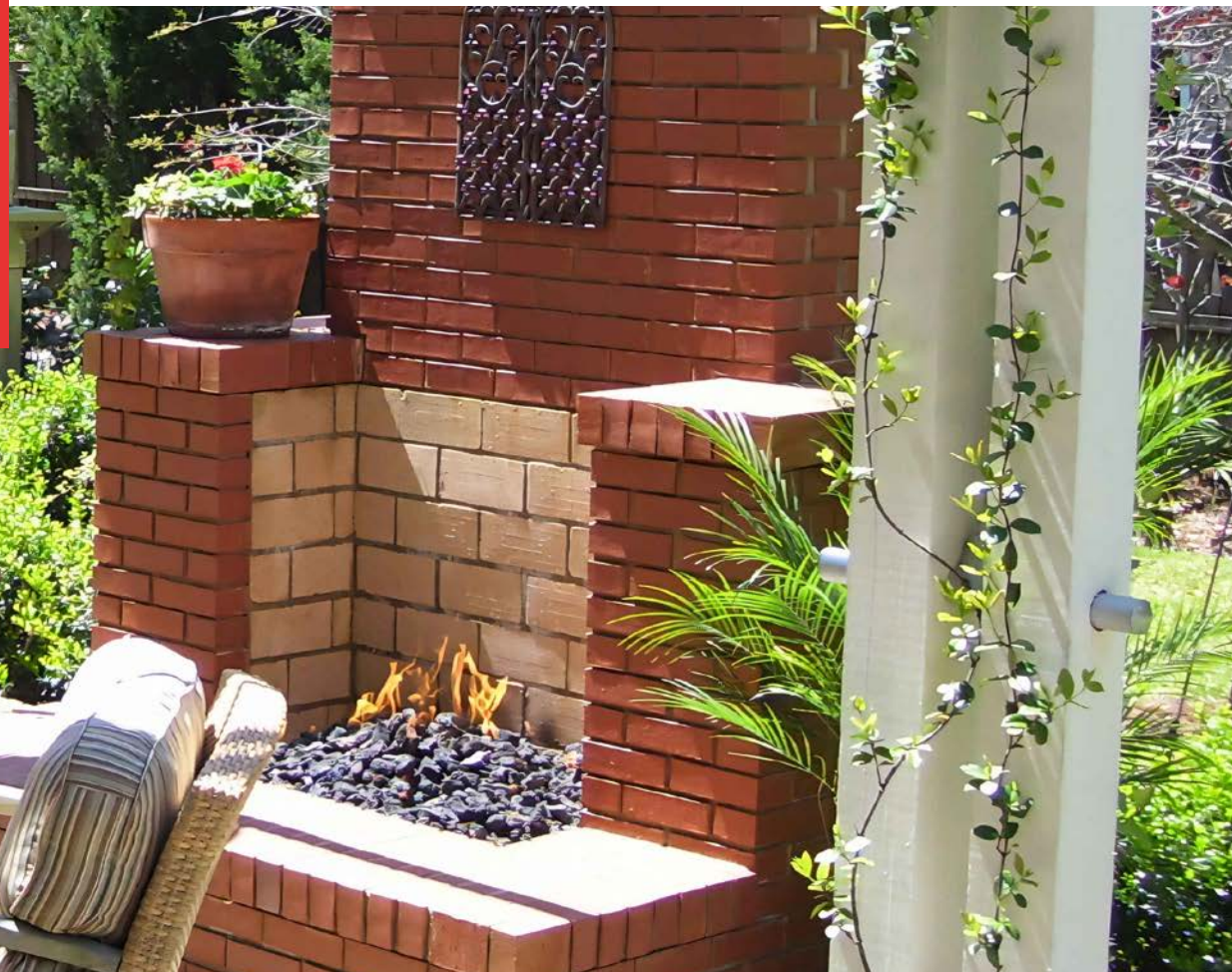
OTHER KITS

FIRE PIT KITS & DIY UNITS

Hardscape block kits and uncertified push button kits.

Installation Considerations

- Minimum of 2" clearance between bottom of insert and ground is required
- No more than two sides should be enclosed
- 48" clearance from wall to insert
- Minimum two sides ventilated
- Minimum 50% free air space within enclosure



BENEFITS

- Easy to assemble
- Includes everything you need to put a fire kit together (does not include pavers)

FEATURES

- Raised hub for water mitigation
- Weep holes for drainage

SPECIFICATIONS

- Made of #304, 18 gauge stainless steel

🔥 Uncertified Push Button Kits

| Bowl Type | Insert Size | Burner Sz. |
|-------------|---------------|------------|
| Round Bowl | 19" x 10-1/4" | 12" |
| Round Bowl | 25" x 10-1/4" | 18" |
| Round Bowl | 31" x 10-1/4" | 24" |
| Round Flat | 18" x 10-1/4" | 12" |
| Round Flat | 24" x 10-1/4" | 18" |
| Round Flat | 30" x 10-1/4" | 24" |
| Square Flat | 18" x 10-1/4" | 12" |
| Square Flat | 24" x 10-1/4" | 18" |
| Square Flat | 30" x 10-1/4" | 24" |

| SKU - STANDARD BURNER | BTU | MSRP |
|-----------------------|------|-----------|
| PENTA19FPK-NG | 90k | \$970.21 |
| PENTA25FPK-NG | 150k | \$1222.38 |
| PENTA31FPK-NG | 150k | \$1432.49 |
| PENTA18FPK-NG | 90k | \$716.31 |
| PENTA24FPK-NG | 150k | \$912.68 |
| PENTA30FPK-NG | 150k | \$1150.48 |
| PENTA18FPK-SQ-NG | 90k | \$746.71 |
| PENTA24FPK-SQ-NG | 150k | \$879.42 |
| PENTA30FPK-SQ-NG | 150k | \$1197.53 |

| SKU - TORPEDO BURNER | BTU | MSRP |
|----------------------|------|-----------|
| TOR-PENTA19FPK-NG | 90k | \$1164.26 |
| TOR-PENTA25FPK-NG | 150k | \$1466.86 |
| TOR-PENTA31FPK-NG | 150k | \$1718.99 |
| TOR-PENTA18FPK-NG | 90k | \$859.57 |
| TOR-PENTA24FPK-NG | 150k | \$1095.21 |
| TOR-PENTA30FPK-NG | 150k | \$1380.58 |
| TOR-PENTA18FPK-SQ-NG | 90k | \$896.04 |
| TOR-PENTA24FPK-SQ-NG | 150k | \$1055.3 |
| TOR-PENTA30FPK-SQ-NG | 150k | \$1437.05 |

Uncertified Push Button Kits include: pan, burner, push button ignition switch and igniter, chrome decorative key valve, fittings, and flex line. **Natural gas only, not CSA certified.**

🔥 Match Lit Ignition - Hardscape Block Kits

| Bowl Type | Insert Size |
|-------------|---------------------|
| Round Flat | 8" x 10-1/4" |
| Round Flat | 14" x 10-1/4" |
| Round Flat | 18" x 10-1/4" |
| Round Flat | 24" x 10-1/4" |
| Round Flat | 30" x 10-1/4" |
| Square Flat | 18" x 18" x 10-1/4" |
| Square Flat | 24" x 24" x 10-1/4" |
| Square Flat | 30" x 30" x 10-1/4" |
| H-Burner | 24" x 12" x 10-1/4" |
| H-Burner | 30" x 12" x 10-1/4" |
| H-Burner | 36" x 14" x 10-1/4" |
| Interlink | 25" x 8" x 10-1/4" |
| Interlink | 37" x 8" x 10-1/4" |
| Interlink | 49" x 8" x 10-1/4" |

| SKU - STANDARD BURNER | MSRP |
|-----------------------------|-----------|
| BLOCK-MLFPK8-FLEX-NG | \$812.64 |
| BLOCK-PENTA14 MLFPK-FLEX-NG | \$1038.01 |
| BLOCK-PENTA18 MLFPK-FLEX-NG | \$1027.16 |
| BLOCK-PENTA24 MLFPK-FLEX-NG | \$1198.23 |
| BLOCK-PENTA30 MLFPK-FLEX-NG | \$1611.55 |
| BLOCK-MLFPK18SQ-FLEX-NG | <BLOCK- |
| BLOCK-MLFPK24SQ-FLEX-NG | <BLOCK- |
| BLOCK-MLFPK30SQ-FLEX-NG | <BLOCK- |
| - | - |
| - | - |
| - | - |
| - | - |
| - | - |
| - | - |

| SKU - TORPEDO BURNER | MSRP |
|--------------------------------|-----------|
| - | - |
| - | - |
| - | - |
| - | - |
| - | - |
| - | - |
| - | - |
| - | - |
| TOR-BLOCK-MLFPK24X12-H-FLEX-NG | \$1359.53 |
| TOR-BLOCK-MLFPK30X12-H-FLEX-NG | \$1473.61 |
| TOR-BLOCK-MLFPK36X14-H-FLEX-NG | \$2293.6 |
| TOR-BLOCK-MLFPK25X8-L-FLEX-NG | \$1133.46 |
| TOR-BLOCK-MLFPK37X8-L-FLEX-NG | \$1591.08 |
| TOR-BLOCK-MLFPK49X8-L-FLEX-NG | \$2085.09 |

🔥 Push Button Ignition - Hardscape Block Kits

| Bowl Type | Insert Size |
|-------------|---------------------|
| Round Flat | 14" x 10-1/4" |
| Round Flat | 18" x 10-1/4" |
| Round Flat | 24" x 10-1/4" |
| Round Flat | 30" x 10-1/4" |
| Round Flat | 36" x 10-1/4" |
| Square Flat | 18" x 18" x 10-1/4" |
| Square Flat | 24" x 24" x 10-1/4" |
| Square Flat | 30" x 30" x 10-1/4" |
| Square Flat | 36" x 36" x 10-1/4" |
| H-Burner | 24" x 12" x 10-1/4" |
| H-Burner | 30" x 12" x 10-1/4" |
| H-Burner | 36" x 14" x 10-1/4" |
| H-Burner | 42" x 14" x 10-1/4" |
| H-Burner | 54" x 16" x 10-1/4" |
| Interlink | 25" x 8" x 10-1/4" |
| Interlink | 37" x 8" x 10-1/4" |
| Interlink | 49" x 8" x 10-1/4" |
| Interlink | 61" x 8" x 10-1/4" |
| Interlink | 73" x 8" x 10-1/4" |
| Interlink | 97" x 8" x 10-1/4" |

| SKU - STANDARD BURNER | MSRP |
|---------------------------|-----------|
| BLOCK-FPPK14-FLEX-NG | \$1749.41 |
| BLOCK-PENTA18FPPK-FLEX-NG | \$1860.77 |
| BLOCK-PENTA24FPPK-FLEX-NG | \$2058.99 |
| BLOCK-PENTA30FPPK-FLEX-NG | \$2575.48 |
| BLOCK-PENTA36FPPK-FLEX-NG | \$3056.14 |
| BLOCK-FPPK18-SQ-FLEX-NG | \$1925.91 |
| BLOCK-FPPK24-SQ-FLEX-NG | \$2363.72 |
| BLOCK-FPPK30-SQ-FLEX-NG | \$2637.96 |
| BLOCK-FPPK36-SQ-FLEX-NG | \$3056.14 |
| - | - |
| - | - |
| - | - |
| - | - |
| - | - |
| - | - |
| - | - |
| - | - |
| - | - |
| - | - |
| - | - |
| - | - |
| - | - |
| - | - |
| - | - |
| - | - |
| - | - |
| - | - |

| SKU - TORPEDO BURNER | MSRP |
|-------------------------------|-----------|
| - | - |
| - | - |
| - | - |
| - | - |
| - | - |
| - | - |
| - | - |
| - | - |
| - | - |
| TOR-BLOCK-FPPK24X12-H-FLEX-NG | \$2565.15 |
| TOR-BLOCK-FPPK30X12-H-FLEX-NG | \$2858.46 |
| TOR-BLOCK-FPPK36X14-H-FLEX-NG | \$3381.91 |
| TOR-BLOCK-FPPK42X14-H-FLEX-NG | \$3593.73 |
| TOR-BLOCK-FPPK54X16-H-FLEX-NG | \$3926.13 |
| TOR-BLOCK-FPPK25X8-L-FLEX-NG | \$2037.28 |
| TOR-BLOCK-FPPK37X8-L-FLEX-NG | \$2479.33 |
| TOR-BLOCK-FPPK49X8-L-FLEX-NG | \$2635.82 |
| TOR-BLOCK-FPPK61X8-L-FLEX-NG | \$3245.09 |
| TOR-BLOCK-FPPK73X8-L-FLEX-NG | \$3593.73 |
| TOR-BLOCK-FPPK97X8-L-FLEX-NG | <TOR- |

Hardscape block kits include: fire pit insert, flex form collars (44" x 6.2"), 2x vents (9" x 4"), SSC24 flex line (24"), and lava rock. **Pavers are not included.**



FIRE PIT MEDIA

FIRE PIT ACCESSORIES

Media enhances the overall appearance of your fire feature by making it look more natural, stylized, or by making the flames stand out more.



Fire Logs

| Style | Size | Pieces |
|-----------------------|---------|--------|
| Arizona Weathered Oak | 12"-18" | 9 |
| Arizona Weathered Oak | 14"-18" | 16 |
| Aspen Birch | 11"-18" | 9 |
| Aspen Birch | 13"-18" | 16 |
| Western Driftwood | 10"-18" | 9 |
| Western Driftwood | 10"-21" | 6 |

| SKU | MSRP |
|---------------|----------|
| FPL18/24AWO9 | \$530.84 |
| FPL30/36AWO16 | \$976.28 |
| FPL18/24AB9 | \$530.84 |
| FPL30/36AB16 | \$976.28 |
| FPL18/24WD9 | \$530.84 |
| FPL30/36WD16 | \$976.28 |



ARIZONA WEATHERED OAK



ASPEN BIRCH



WESTERN DRIFTWOOD

Lava & Ceramic Rock

| Style | Size | Color |
|--------------------|-----------|------------|
| Lava Rock | 1"-2" | Black |
| Rolled Lava Stone | 1"-2" | Black |
| Rolled Lava Stone | 2.5"-4.5" | Black |
| Ceramic River Rock | 2.5"-4.5" | Multicolor |
| Ceramic River Rock | 2.5"-4.5" | Black |

| SKU | MSRP |
|---------|----------|
| 657 | \$30.05 |
| 857S | \$167.36 |
| 857M | \$200.63 |
| FPR84MC | \$476.5 |
| FPR84BL | \$447.99 |



LAVA ROCK



ROLLED LAVA STONE



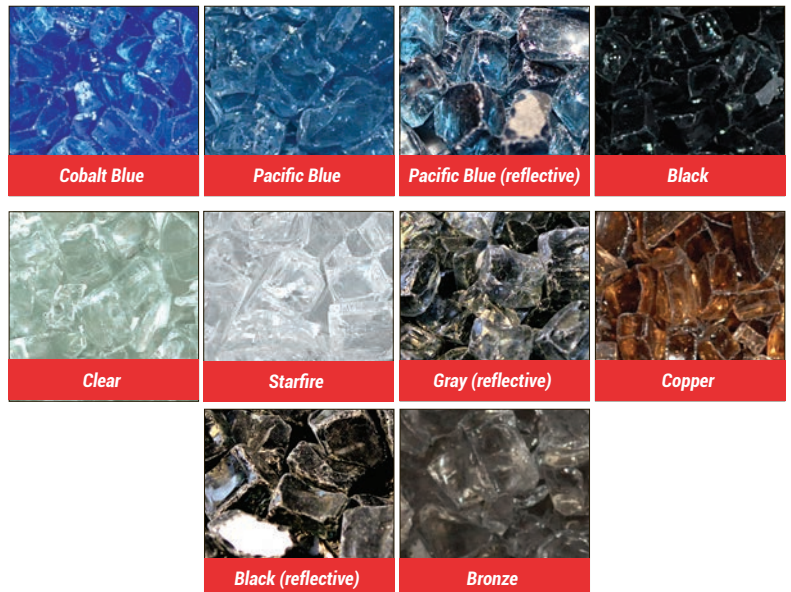
CERAMIC RIVER ROCK (BLACK)



CERAMIC RIVER ROCK (MULTICOLOR)

Fire Glass

| Color | SKU | MSRP (per lb) |
|---------------------------|-----------------|---------------|
| Cobalt Blue | FPGLCOBALTBUE | \$4.11 |
| Pacific Blue | FPGLPACIFICBLUE | \$4.11 |
| Pacific Blue (reflective) | FPGLPACBLUEREFL | \$4.64 |
| Black | FPGLBLACK | \$4.11 |
| Clear | FPGLCLEAR | \$4.11 |
| Starfire | FPGLSTARFIRE | \$4.11 |
| Gray (reflective) | FPGLGRAYREFLEC | \$4.64 |
| Copper | FPGLCOPPER | \$4.11 |
| Black (reflective) | FPGLBLACKREFL | \$4.64 |
| Bronze | FPGLBRONZE | \$4.11 |



NOTE: Fire glass is priced per lb, but sold only in 10lb increments.

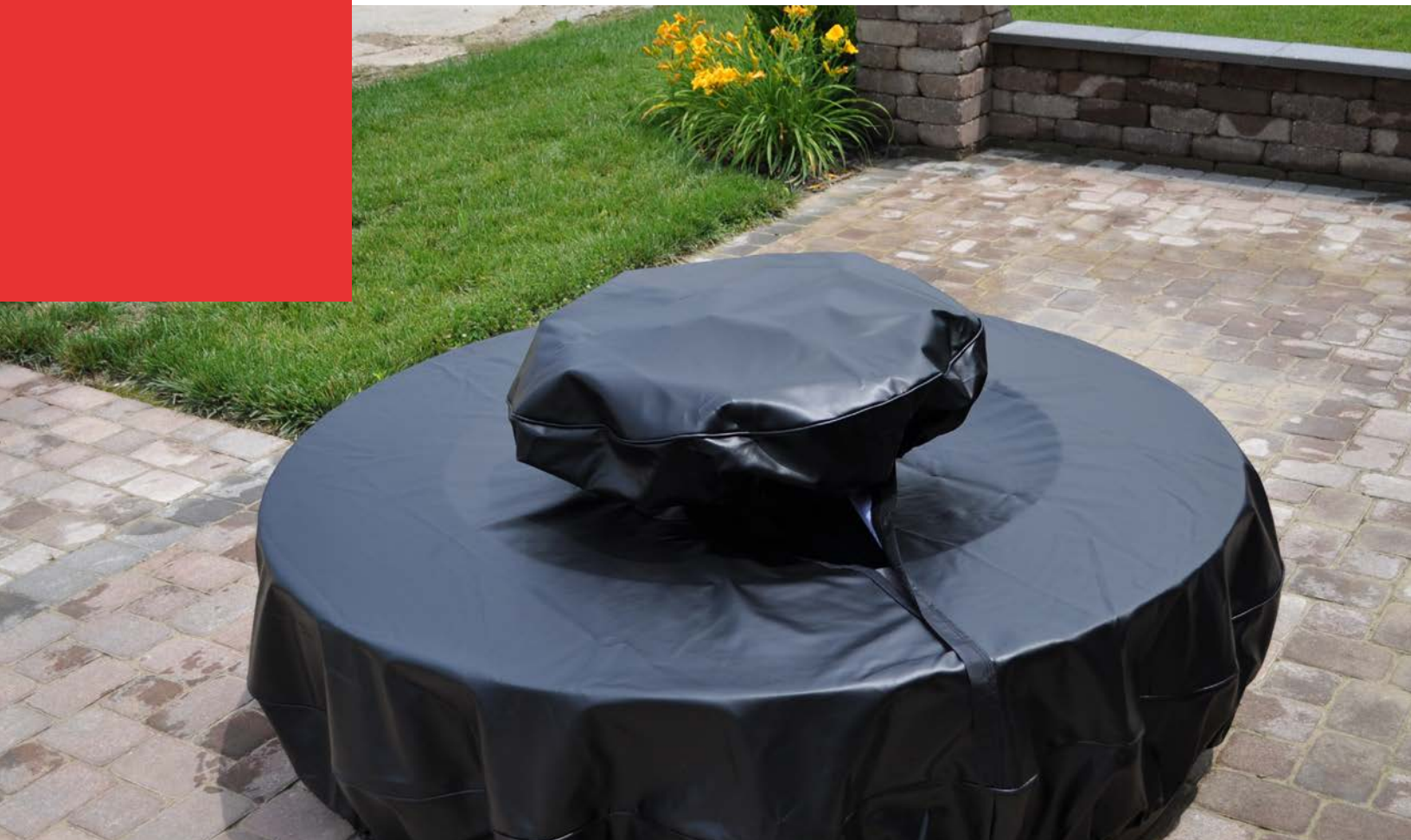
FIRE PIT COVERS

FIRE PIT ACCESSORIES

Fire pit covers help protect your fire pit against the elements and can provide an elevated aesthetic appeal.

Installation Considerations

- Consider the weather that your fire pit will need protection against, the size you will need, and what will best match your environment



BENEFITS

- Excellent weather mitigation to protect fire pit.

FEATURES

- Handles and straps where applicable. Various sizes and custom options available.

SPECIFICATIONS

- Made of black or grey vinyl, stainless steel, copper, or powder-coat aluminum.

Aluminum Covers

| Style | Size | Height | Weight |
|--------------------|------|--------|---------|
| Copper Vein | 24" | 1" | 6lbs |
| Copper Vein | 36" | 1" | 13lbs |
| Copper Vein | 48" | 1" | 23.5lbs |
| Copper Vein (tall) | 32" | 10" | 15lbs |
| Copper Vein (tall) | 44" | 14" | 20lbs |
| Black | 24" | 1" | 6lbs |
| Black | 36" | 1" | 13lbs |
| Black | 48" | 1" | 23.5lbs |
| Black (tall) | 32" | 10" | 15lbs |
| Black (tall) | 44" | 14" | 20lbs |

| SKU | MSRP |
|-----------|-----------|
| FPHC-24C | \$442.59 |
| FPHC-36C | \$809.15 |
| FPHC-48C | \$961.25 |
| FPHC-32C | \$1080.7 |
| FPHC-44C | \$1262.64 |
| FPHC-24BL | \$442.59 |
| FPHC-36BL | \$809.15 |
| FPHC-48BL | \$961.25 |
| FPHC-32BL | \$1080.7 |
| FPHC-44BL | \$1262.64 |



Aluminum Covers (Copper Vein Tall & Black)

Copper Bowl Covers

| Style | Size | Height | Weight |
|------------------|-----------|--------|---------|
| Mesa / 26" Tempe | 19" | 8.5" | 7.5lbs |
| Tempe | 32" | 5.75" | 15lbs |
| Sierra | 26" x 26" | 7" | 13lbs |
| Sedona | 30" x 30" | 7" | 13.5lbs |

| SKU | MSRP |
|--------------------|-----------|
| FPHC-26TEMP/32MESA | \$886.26 |
| FPHC-31TEMPE | \$1321.47 |
| FPHC-36SIERRA-SQ | \$1321.47 |
| FPHC-40SEDONA-SQ | \$1611.06 |



Sierra Cover

Stainless Steel Covers

| Style | Size | Handles # | Weight |
|---------|------------|-----------|--------|
| Brushed | 28" x 9.5" | 1 | 11lbs |
| Brushed | 28" x 16" | 1 | 16lbs |
| Brushed | 34" x 16" | 1 | 18lbs |
| Brushed | 40" x 9.5" | 1 | 13lbs |
| Brushed | 40" x 18" | 1 | 20lbs |
| Brushed | 46" x 18" | 2 | 22lbs |
| Brushed | 52" x 9.5" | 2 | 15lbs |
| Brushed | 58" x 20" | 2 | 28lbs |
| Brushed | 64" x 9.5" | 2 | 18lbs |

| SKU | MSRP |
|--------------|----------|
| TPHC-24SS | \$285.11 |
| HPhC-24X12SS | \$358.38 |
| HPhC-30X12SS | \$420.87 |
| TPHC-36SS | \$344.84 |
| HPhC-36X14SS | \$502.37 |
| HPhC-42X14SS | \$564.72 |
| TPHC-48SS | \$513.16 |
| HPhC-54X16SS | \$627.21 |
| TPHC-60SS | \$605.55 |



Rectangular SS Cover

Vinyl Covers

| Style | Fits Enclosures |
|-------------------------|-------------------|
| Round | 23" ~ 35" |
| Round | 30" ~ 45" |
| Round | 35" ~ 53" |
| Round | 43" ~ 64" |
| Round | 60" ~ 76" |
| Square | 36" ~ 48" |
| Square | 45" ~ 60" |
| Rectangle | 34x20" ~ 44x30" |
| Rectangle | 52x20" ~ 62x30" |
| Rectangle | 68x30" ~ 78x40" |
| Rectangle | 80x30" ~ 90x40" |
| Rectangle | 84x20" ~ 94x30" |
| Rectangle | 92x30" ~ 102x40" |
| Rectangle | 104x30" ~ 114x40" |
| Rectangle | 120x20" ~ 130x30" |
| Evolution360 / H20nfire | Basin |
| Evolution360 / H20nfire | Bowl |
| LP Small Tank | - |
| TK Torch Head Cover | - |

| SKU | MSRP |
|--------------|----------|
| FPC-35 | \$285.11 |
| FPC-45 | \$358.38 |
| FPC-53 | \$420.87 |
| FPC-64 | \$344.84 |
| FPC-76 | \$502.37 |
| FPC-48SQ | \$564.72 |
| FPC-60SQ | \$513.16 |
| FPC-44X30 | \$627.21 |
| FPC-62X30 | \$605.55 |
| FPC-78X40 | \$219.58 |
| FPC-90X40 | \$182.94 |
| FPC-94X30 | \$241.20 |
| FPC-102X40 | \$198.20 |
| FPC-114X40 | \$228.54 |
| FPC-130X30 | \$274.68 |
| FPC-84WB | \$302.08 |
| FPC-35 | \$97.51 |
| ST-COVER | \$45.95 |
| FPC-TK TORCH | <FPC-TK |



Round Cover



Square Cover



Evo360 Bowl and Basin Cover



Small Tank Cover

WIND GUARDS

FIRE PIT ACCESSORIES

HPC offers wind guards to help protect your flames from the wind and prevent the interference of debris.

Installation Considerations

- Consider the size of wind guard you will need. Wind guards can be combined with kits to accommodate atypically sized fire pits.



BENEFITS

- Easy installation using clips to support tempered glass
- Heat resistant glass

FEATURES

- Wind guard extension kits available to accommodate atypical fire pit sizes

SPECIFICATIONS

- Heavy duty 3/16" clear tempered glass
- Polished aluminum brackets
- Rubber feet

Glass Wind Guards

| Shape | Size | SKU | MSRP |
|-----------|----------------|--------------|----------|
| Round | 23" x 6" | WG23-RD | \$329.9 |
| Round | 30" x 6" | WG30-RD | \$395.62 |
| Round | 38" x 6" | WG38-RD | \$494.97 |
| Round | 48" x 6" | WG48-RD | \$622.11 |
| Square | 25" x 25" x 6" | WG25-SQ | \$226.17 |
| Square | 31" x 31" x 6" | WG31-SQ | \$244.91 |
| Square | 37" x 37" x 6" | WG37-SQ | \$269.87 |
| Square | 43" x 43" x 6" | WG43-SQ | \$292.16 |
| Square | 49" x 49" x 6" | WG49-SQ | \$329.9 |
| Rectangle | 31" x 19" x 6" | WG31X19-RECT | \$249.79 |
| Rectangle | 37" x 19" x 6" | WG37X19-RECT | \$268.54 |
| Rectangle | 43" x 21" x 6" | WG43X21-RECT | \$292.16 |
| Rectangle | 49" x 21" x 6" | WG49X21-RECT | \$320.37 |
| Rectangle | 61" x 23" x 6" | WG61X23-RECT | \$376.87 |
| Linear | 31" x 15" x 6" | WG31X15-L | \$244.91 |
| Linear | 43" x 15" x 6" | WG43X15-L | \$282.92 |
| Linear | 55" x 15" x 6" | WG55X15-L | \$348.64 |
| Linear | 67" x 15" x 6" | WG67X15-L | \$386.37 |

HIGH QUALITY PROTECTION

HPC provides high quality glass wind guards specially designed to complement our fire pits and provide additional safety against the active flames. Available in round, square, and rectangular configurations, and made from durable tempered glass, our wind guards are guaranteed long-lasting and heat resistant. Wind guards reduce flame disturbance caused by the wind and prevent loose items from getting too close to the flames.

NOTE: wind guards are designed to prevent accidental interaction with a live flame. They will get hot to the touch and can burn skin if touched.



Round



Square



Linear



Rectangle

Wind Guard Components

| Component | Description |
|-------------------------------|---|
| Replacement Clip | Chrome clip for round wind guards. |
| Replacement Clip (Square) | Chrome clip for square & rectangular wind guards. |
| Replacement Foot | Replacement rubber foot for round wind guards. |
| Replacement Foot (Square) | Replacement rubber foot for square & rectangular wind guards. |
| Extension Kit | Complete extension kit: 4 chrome clips and 4 extension glass supports with rubber foot. |
| Replacement Extension Support | Replacement extension glass support with rubber foot. |
| Replacement Extension Clip | Replacement chrome extension straight clip for square & rectangular wind guards. |

| SKU | MSRP |
|------------------------|---------|
| WG-CC-RD | \$12.45 |
| WG-CC-SQ/RECT | \$12.45 |
| WG-RUBBER FOOT-RD | \$6.63 |
| WG-RUBBER FOOT-SQ/RECT | \$6.63 |
| WG-EXT/STR KIT | \$93.95 |
| WG-EGS | \$12.45 |
| WG-SC | <WG-SC> |



WG-SC



WG-RUBBER FOOT-SQ/RECT



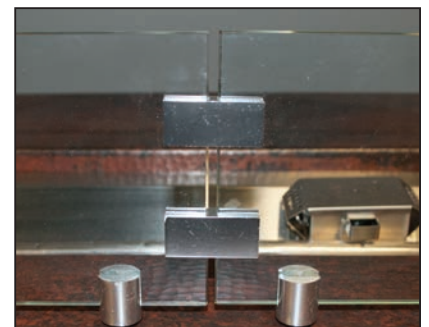
WG-CC-SQ/RECT



WG-EGS

EXTENDING WIND GUARDS

Square and rectangular wind guards can be extended to support fire pits with atypical dimensions. By using WG-EXT/STR KIT, one can combine additional glass panels with a base wind guard kit and protect the full insert. See right for example of an installed extension kit.



COMPONENTS

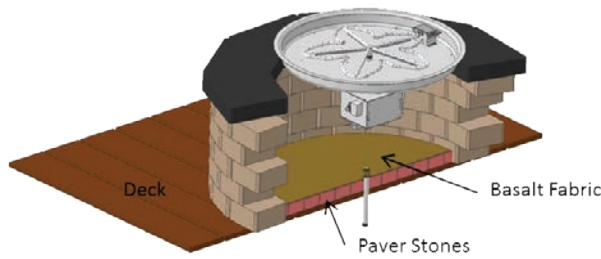
FIRE PIT COMPONENTS



Deck Installation Kit

| SKU | MSRP |
|--------------|---------|
| FPI-DECK20SQ | \$25.45 |
| FPI-DECK39SQ | \$57.67 |

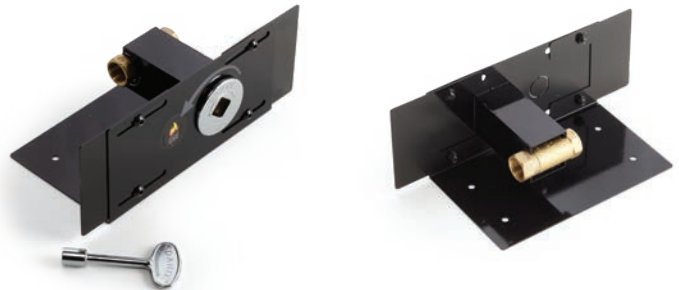
This kit is needed when installing a gas fire pit on a wood or composite deck. It provides flame and excess heat protection around input flex line connection(s). The basalt insulation is for inside the fire pit enclosure or bowl and should be placed over a layer of paver blocks (1" min. thickness). Incoming gas stub must protrude through the deck, paver blocks and insulation for fire pit flex line connection. Kit includes basalt insulation and instructions- basalt insulation measures 39.3" x 39.3" (1 sq. meter)- larger fire pits will require more pieces. The insulation is easily cut with utility knife.



Paver Block Bracket - Match Lit Ignition

| SKU | MSRP |
|---------|----------|
| KVMB-PB | \$131.93 |

Designed for the Dante Valve, this bracket allows flexibility and installation ease of the MLFPK decorative key valve. The face plate is adjustable from 8" to 12" width accommodating most pavers. The valve is securely mounted to bracket using decorative flange. (8-12"W x 3.875H x 5"D)



Small Tank Kit - Liquid Propane

| SKU | MSRP |
|-------|----------|
| STLPK | \$149.43 |

This kit is for use with CSA certified FPPK and MLFPK fire pit models less than 90k Btu- see fire pit insert section for approved models. The kits includes a 90-degree regulator with 72" hose, 24" Flex Line, small tank L-Bracket and fittings for FPPK or MLFPK connection.

Spark Igniter Kit - Match Lit Ignition

| SKU | MSRP |
|-------|---------|
| SIK36 | \$60.69 |

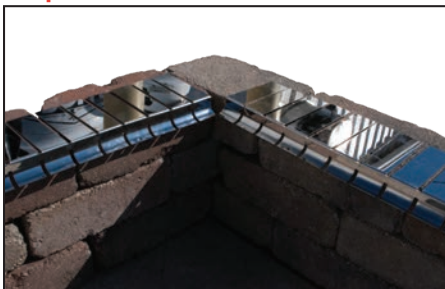
Easily installed match-lit igniter kit. Produces a battery-activated spark to ignite the gas.

Flex Form Install Collar

| SKU | MSRP |
|-----------|----------|
| IC44SS-FF | \$386.65 |

The flex form installation collar merges the gap between the fire pit structure and the insert pan for easy installation. This flexible install collar allows for an easy 3 step installation, saving you time with our one size fits all product. The collar can be formed to fit any shaped fire pit and offers an auto centering feature with a curved lip. 2 per carton; 44" x 6.2".

Step 1



Place the collar

Step 2



Install the collar

Step 3



Install the insert

Regulators

| SKU | MSRP | Description |
|-------------|----------|--|
| 770-150 | \$140.49 | 150k BTU pressure regulator (5psi NG; 2psi LP; 1/2" x 1/2", 4"-12" WC) |
| 770-300 | \$217.38 | 300k BTU pressure regulator (5psi NG; 2psi LP; 1" x 1", 4" - 12" WC) |
| 658 | \$56.63 | 100k BTU LP pressure regulator (3/8" x 3/8", 4"-12" WC) |
| 770-13A15 | <770-> | MAXITROL vent protector with 1/8" inlet made for 770-150 |
| 770-13A15-5 | \$34.38 | MAXITROL vent protector with 3/8" inlet made for 770-300 |



770-150

Grill Repair Regulators & Hoses

| SKU | MSRP | Description |
|-------------|---------|--|
| 658/90-18 | \$39.04 | 18" Rubber Hose; 90 degree regulator ; 100k BTU; 3/8" fitting |
| 658/90-36 | \$60.98 | 36" rubber hose; 90 degree regulator; 100k BTU; 3/8" fitting |
| 658SS/90-36 | | 36" braided SS hose; 90 degree regulator; 100k BTU; 3/8" fitting |



658SS/90-36

Quick Disconnects and Outlets

| SKU | MSRP | Description |
|-------|----------|--|
| 580 | \$111.88 | 144" x 3/8" quick disconnect assembly |
| 580-1 | <580-1> | 144" x 3/8" quick disconnect (male only) |
| 580-V | \$65.93 | Female quick disconnect fitting |
| 581 | \$196 | Appliance Outlet |



580

Flex Lines

| SKU | MSRP | Length | BTU/HR - NG | BTU/HR - LP | Flare Size | Fittings | Description |
|-----------|----------|----------|-------------|-------------|------------|--------------------|---|
| SSC6 | \$21.26 | 6" | 110k | 177k | 1/2" | 3/8" MIP; 1/2" FIP | Standard Capacity |
| SSC12 | \$21.56 | 12" | 102k | 163.2k | 1/2" | 3/8" MIP; 1/2" FIP | Standard Capacity |
| SSC18 | \$22.12 | 18" | 93k | 148.96k | 1/2" | 3/8" MIP; 1/2" FIP | Standard Capacity |
| SSC24 | \$26.5 | 24" | 85k | 136k | 1/2" | 3/8" MIP; 1/2" FIP | Standard Capacity |
| SSC30 | \$29.6 | 30" | 77k | 123.36k | 1/2" | 3/8" MIP; 1/2" FIP | Standard Capacity |
| SSC36 | \$33.48 | 36" | 71k | 113.76k | 1/2" | 3/8" MIP; 1/2" FIP | Standard Capacity |
| SSC48 | \$36.77 | 48" | 60.5k | 96.8k | 1/2" | 3/8" MIP; 1/2" FIP | Standard Capacity |
| SSC-HC12 | \$25.14 | 12" (HC) | 180k | 288k | 3/4" | 1/2" MIP; 1/2" FIP | High Capacity |
| SSC-HC18 | \$29.87 | 18" (HC) | 164k | 262.7k | 3/4" | 1/2" MIP; 1/2" FIP | High Capacity |
| SSC-HC24 | \$35.13 | 24" (HC) | 150k | 240k | 3/4" | 1/2" MIP; 1/2" FIP | High Capacity |
| SSC-HC30 | \$39.81 | 30" (HC) | 136k | 217.6k | 3/4" | 1/2" MIP; 1/2" FIP | High Capacity |
| SSC-HHC24 | \$76.85 | 24" (HC) | 291k | 465.4k | 1" | 3/4" MIP; 3/4" FIP | Ultra High Capacity |
| SSC-HHC36 | \$116.73 | 36" (HC) | 256k | 409.4k | 1" | 3/4" MIP; 3/4" FIP | Ultra High Capacity |
| SSC-W12 | \$22.92 | 12" | 102k | 163.2k | 1/2" | 3/8" MIP; 1/2" FIP | Tranquil Whistle-Free |
| SSC-W18 | \$31.24 | 18" | 93k | 148.96k | 1/2" | 3/8" MIP; 1/2" FIP | Tranquil Whistle-Free |
| SSC-W24 | \$35.93 | 24" | 85k | 136k | 1/2" | 3/8" MIP; 1/2" FIP | Tranquil Whistle-Free |
| SSC-W30 | \$45.31 | 30" | 77k | 123.36k | 1/2" | 3/8" MIP; 1/2" FIP | Tranquil Whistle-Free |
| SSCB-W18 | \$41.5 | 18" | 93k | 148.96k | 1/2" | 3/8" MIP; 1/2" FIP | Black. Tranquil Whistle-Free, Standard Capacity |
| SSCB-W24 | \$45.31 | 24" | 85k | 136k | 1/2" | 3/8" MIP; 1/2" FIP | Black. Tranquil Whistle-Free, Standard Capacity |
| SSCB-W30 | \$58.33 | 30" | 77k | 123.36k | 1/2" | 3/8" MIP; 1/2" FIP | Black. Tranquil Whistle-Free, Standard Capacity |

Fire Pit Pans - Round Bowl - Requires FRSB-11

| SKU | MSRP | Size | Inlet | # of FRSB-11 |
|----------|-----------|----------|-------|--------------|
| 570-13 | \$354.86 | 13" | 1/2" | 3 |
| 570-19 | \$455.62 | 19" | 1/2" | 3 |
| 570-25 | \$628.32 | 25" | 1/2" | 3 |
| 570-31 | \$716.54 | 31" | 1/2" | 3 |
| 570-31HC | \$823.32 | 31" (HC) | 3/4" | 3 |
| 570-37HC | \$877.06 | 37" (HC) | 3/4" | 3 |
| 570-43HC | \$1146.99 | 43" (HC) | 3/4" | 3 |

Fire Pit Pans - Round Flat - Requires FRSB-11

| SKU | MSRP | Size | Inlet | # of FRSB-11 |
|----------|-----------|-------------|-------|--------------|
| 571-8 | \$172.7 | 7.75" | 1/2" | 3 |
| 571-14 | \$298.36 | 13.75" | 1/2" | 3 |
| 571-18 | \$188.43 | 17.75" | 1/2" | 3 |
| 571-24 | \$345.7 | 23.75" | 1/2" | 3 |
| 571-30 | \$496.39 | 29.75" | 1/2" | 3 |
| 571-36 | \$675.86 | 35.75" | 1/2" | 3 |
| 571-36HC | \$754.06 | 35.75" (HC) | 3/4" | 3 |
| 571-42HC | \$823.32 | 41.75" (HC) | 3/4" | 3 |
| 571-54HC | \$1414.19 | 53.75" (HC) | 3/4" | 3 |

Fire Pit Pans - Square Bowl - Requires FRSB-11

| SKU | MSRP | Size | Inlet | # of FRSB-11 |
|------------|----------|------|-------|--------------|
| 570-18SQ | \$298.93 | 18" | 1/2" | 3 |
| 570-24SQ | \$404.86 | 24" | 1/2" | 3 |
| 570-30SQ | \$483.62 | 30" | 1/2" | 3 |
| 570-36HCSQ | \$707.11 | 36" | 3/4" | 3 |
| 570-42HCSQ | \$782.55 | 42" | 3/4" | 3 |

Fire Pit Pans - Square Flat - Requires FRSB-11

| SKU | MSRP | Size | Inlet | # of FRSB-11 |
|------------|----------|------|-------|--------------|
| 571-18SQ | \$235.4 | 18" | 1/2" | 3 |
| 571-24SQ | \$307.62 | 24" | 1/2" | 3 |
| 571-30SQ | \$439.9 | 30" | 1/2" | 3 |
| 571-36HCSQ | \$534.39 | 36" | 3/4" | 3 |
| 571-42HCSQ | \$754.06 | 42" | 3/4" | 3 |

Burners - Penta

| SKU | MSRP | Size | BTU | Inlet |
|-------------|----------|------|------|-------|
| PENTA12 KIT | \$134.86 | 12" | 65k | 1/2" |
| PENTA18 KIT | \$174.22 | 18" | 125k | 1/2" |
| PENTA24 KIT | \$213.85 | 24" | 200k | 1/2" |
| PENTA30 KIT | \$263.96 | 30" | 250k | 3/4" |
| PENTA36 KIT | \$332.6 | 36" | 300k | 3/4" |
| PENTA48 KIT | \$372.21 | 48" | 300k | 3/4" |

| SKU | Bulk Quantity (5% off) |
|---------|------------------------|
| PENTA12 | 10 |
| PENTA18 | 10 |
| PENTA24 | 10 |
| PENTA30 | 5 |
| PENTA36 | 5 |
| PENTA48 | 5 |



Burners - Torpedo Penta

| SKU | MSRP | Size | BTU | Inlet |
|-----------------|----------|------|------|-------|
| TOR-PENTA12 KIT | \$161.83 | 12" | 100k | 1/2" |
| TOR-PENTA18 KIT | \$209.06 | 18" | 175k | 1/2" |
| TOR-PENTA24 KIT | \$256.61 | 24" | 250k | 1/2" |
| TOR-PENTA30 KIT | \$316.77 | 30" | 300k | 3/4" |
| TOR-PENTA36 KIT | \$399.1 | 36" | 350k | 3/4" |
| TOR-PENTA48 KIT | \$446.64 | 48" | 350k | 3/4" |

| SKU | Bulk Quantity (5% off) |
|-------------|------------------------|
| TOR-PENTA12 | 10 |
| TOR-PENTA18 | 10 |
| TOR-PENTA24 | 10 |
| TOR-PENTA30 | 5 |
| TOR-PENTA36 | 5 |
| TOR-PENTA48 | 5 |



Burners - Round

| SKU | MSRP | Size | BTU | Inlet |
|--------------|----------|----------|------|-------|
| FRS-6 KIT | \$81.85 | 6" | 60k | 1/2" |
| FRS-12 KIT | \$95.03 | 12" | 90k | 1/2" |
| FRS-18 KIT | \$142.61 | 18" | 150k | 1/2" |
| FRS-24 KIT | \$190.05 | 24" | 150k | 1/2" |
| FRS-24HC KIT | \$235.04 | 24" (HC) | 300k | 3/4" |
| FRS-30 KIT | \$263.96 | 30" | 300k | 1/2" |
| FRS-30HC KIT | \$282.48 | 30" (HC) | 300k | 3/4" |
| FRS-36HC KIT | \$316.77 | 36" | 300k | 3/4" |
| FRS-48HC KIT | \$623.09 | 48" | 300k | 3/4" |

| SKU | Bulk Quantity (5% off) |
|---------|------------------------|
| FRS6 | 10 |
| FRS12 | 10 |
| FRS18 | 10 |
| FRS24 | 10 |
| FRS24HC | 10 |
| FRS30 | 5 |
| FRS30HC | 5 |
| FRS36HC | 5 |
| FRS48HC | 5 |



Burners - Square

| SKU | MSRP | Size | BTU | Inlet |
|----------------|----------|------|------|-------|
| FRSSQ-12 KIT | \$139.94 | 12" | 90k | 1/2" |
| FRSSQ-18 KIT | \$187.44 | 18" | 150k | 1/2" |
| FRSSQ-24 KIT | \$290.35 | 24" | 150k | 1/2" |
| FRSSQ-36HC KIT | \$401.28 | 36" | 300k | 3/4" |
| FRSSQ-48HC KIT | \$530.58 | 48" | 300k | 3/4" |

| SKU | Bulk Quantity (5% off) |
|-----------|------------------------|
| FRSSQ12 | 10 |
| FRSSQ18 | 10 |
| FRSSQ24 | 10 |
| FRSSQ36HC | 5 |
| FRSSQ48HC | 5 |



Burners - Rectangle

| SKU | MSRP | Size | BTU | Inlet |
|------------------|----------|----------|------|-------|
| FRSR-12X6 KIT | \$100.38 | 12"x 6" | 90k | 1/2" |
| FRSR-18X9 KIT | \$145.48 | 18"x 9" | 150k | 1/2" |
| FRSR-24X12 KIT | \$238.32 | 24"x 12" | 150k | 1/2" |
| FRSR-36X18 KIT | \$288.22 | 36"x 18" | 200k | 1/2" |
| FRSR-48X24HC KIT | \$353.56 | 48"x 24" | 300k | 3/4" |

| SKU | Bulk Quantity (5% off) |
|-------------|------------------------|
| FRSR12X6 | 10 |
| FRSR18X9 | 10 |
| FRSR24X12 | 10 |
| FRSR36X18 | 5 |
| FRSR48X24HC | 5 |



Fire Pit Burners - For LP parts, add "LP" after burner size in SKU. Example: PENTA12LP KIT

Burners - Linear

| SKU | MSRP | Size | BTU | Inlet |
|------------------|----------|------|------|-------|
| TOR-LTBSS24 KIT | \$139.69 | 24" | 100k | 1/2" |
| TOR-LTBSS36 KIT | \$168.71 | 36" | 125k | 1/2" |
| TOR-LTBSS48 KIT | \$186.23 | 48" | 150k | 1/2" |
| TOR-LTBSS60 KIT | \$232.83 | 60" | 175k | 1/2" |
| TOR-LTBSS72 KIT | \$314.31 | 72" | 200k | 1/2" |
| TOR-LTBSS96 KIT | \$404.25 | 96" | 250k | 1/2" |
| TOR-LTBSS120 KIT | \$505.52 | 120" | 300k | 1/2" |

| SKU | Bulk Quantity (5% off) |
|--------------|------------------------|
| TOR-LTBSS24 | 10 |
| TOR-LTBSS36 | 10 |
| TOR-LTBSS48 | 10 |
| TOR-LTBSS60 | 10 |
| TOR-LTBSS72 | 10 |
| TOR-LTBSS96 | 5 |
| TOR-LTBSS120 | 5 |



Burners - H-Burner

| SKU | MSRP | Size | BTU | Inlet |
|----------------|----------|----------|------|-------|
| TOR-HBSB18 KIT | \$167.84 | 18"x 6" | 125k | 1/2" |
| TOR-HBSB24 KIT | \$188.57 | 24"x 6" | 150k | 1/2" |
| TOR-HBSB30 KIT | \$202.7 | 30"x 8" | 175k | 1/2" |
| TOR-HBSB36 KIT | \$227.76 | 36"x 8" | 200k | 1/2" |
| TOR-HBSB48 KIT | \$251.41 | 48"x 10" | 250k | 1/2" |
| TOR-HBSB60 KIT | \$314.33 | 60"x 10" | 300k | 1/2" |
| TOR-HBSB72 KIT | \$424.32 | 72"x 10" | 300k | 1/2" |
| TOR-HBSB84 KIT | \$550.04 | 84"x 10" | 300k | 1/2" |

| SKU | Bulk Quantity (5% off) |
|------------|------------------------|
| TOR-HBSB18 | 10 |
| TOR-HBSB24 | 10 |
| TOR-HBSB30 | 10 |
| TOR-HBSB36 | 10 |
| TOR-HBSB48 | 10 |
| TOR-HBSB60 | 10 |
| TOR-HBSB72 | 10 |
| TOR-HBSB84 | 10 |



Pans and Burner - Interlink

| SKU | MSRP | Size | BTU | Inlet |
|---------------|-----------|----------|------|-------|
| TOR-IL25X8SS | \$392.46 | 25"X 8" | 100k | 1/2" |
| TOR-IL37X8SS | \$515.67 | 37"X 8" | 125k | 1/2" |
| TOR-IL49X8SS | \$614.57 | 49"X 8" | 150k | 1/2" |
| TOR-IL61X8SS | \$991.55 | 61"X 8" | 175k | 1/2" |
| TOR-IL73X8SS | \$1051.76 | 73"X 8" | 200k | 1/2" |
| TOR-IL97X8SS | \$1406.52 | 97"X 8" | 250k | 1/2" |
| TOR-IL121X8SS | \$2075.64 | 121"X 8" | 300k | 1/2" |



Pans and Burners - Trough

| SKU | MSRP | Size | BTU | Inlet |
|---------------|-----------|------|------|-------|
| TOR-24SS TRGH | \$326.29 | 24" | 100k | 1/2" |
| TOR-36SS TRGH | \$459.33 | 36" | 125k | 1/2" |
| TOR-48SS TRGH | \$560.7 | 48" | 150k | 1/2" |
| TOR-60SS TRGH | \$1181.6 | 60" | 175k | 1/2" |
| TOR-72SS TRGH | \$1546.72 | 72" | 200k | 1/2" |
| TOR-96SS TRGH | \$2100.67 | 96" | 250k | 1/2" |



Pans and Burners - H-Burner

| SKU | MSRP | Size | BTU | Inlet |
|---------------|-----------|-----------|------|-------|
| TOR-24X12SS-H | \$472.67 | 24" x 12" | 125k | 1/2" |
| TOR-30X12SS-H | \$534.11 | 30" x 12" | 150k | 1/2" |
| TOR-36X14SS-H | \$596.23 | 36" x 14" | 175k | 1/2" |
| TOR-42X14SS-H | \$665.25 | 42" x 14" | 200k | 1/2" |
| TOR-54X16SS-H | \$883.84 | 54" x 16" | 250k | 1/2" |
| TOR-66X16SS-H | \$1280.83 | 66" x 16" | 300k | 1/2" |
| TOR-78X16SS-H | \$1469.86 | 78" x 16" | 300k | 1/2" |
| TOR-90X16SS-H | \$1689.8 | 90" x 16" | 300k | 1/2" |



Fire Pit Pans - For LP parts, add "LP" after burner size in SKU. Example: PENTA12LP KIT

Flame Control Systems - Decorative Key Valves

| SKU | MSRP | Finish | Valve | Inlet / Outlet |
|---------|----------|----------------|----------|----------------|
| MACB | \$39.07 | Chrome | Angle | 1/2" |
| MACB-HC | \$90.68 | Chrome | Angle | 3/4" |
| MSCB | \$39.15 | Chrome | Straight | 1/2" |
| MSCB-HC | \$81.45 | Chrome | Straight | 3/4" |
| MABB | \$39.07 | Brass | Angle | 1/2" |
| MABB-HC | \$108.61 | Brass | Angle | 3/4" |
| MSBB | \$37.73 | Brass | Straight | 1/2" |
| MSBB-HC | \$81.45 | Brass | Straight | 3/4" |
| MAFB | \$70.86 | Flat Black | Angle | 1/4" |
| MAFB-HC | \$108.61 | Flat Black | Angle | 3/4" |
| MSFB | \$69.25 | Flat Black | Straight | 1/2" |
| MSFB-HC | \$101.27 | Flat Black | Straight | 3/4" |
| MAPW | \$70.86 | Pewter | Angle | 1/2" |
| MAPW-HC | \$108.61 | Pewter | Angle | 3/4" |
| MSPW | \$69.25 | Pewter | Straight | 1/2" |
| MSPW-HC | \$101.27 | Pewter | Straight | 3/4" |
| MAAB | \$70.86 | Antique Brass | Angle | 1/2" |
| MAAB-HC | \$108.61 | Antique Brass | Angle | 3/4" |
| MSAB | \$69.25 | Antique Brass | Straight | 1/2" |
| MSAB-HC | \$101.27 | Antique Brass | Straight | 3/4" |
| MAAC | \$70.86 | Antique Copper | Angle | 1/2" |
| MAAC-HC | \$108.61 | Antique Copper | Angle | 3/4" |
| MSAC | \$69.25 | Antique Copper | Straight | 1/2" |
| MSAC-HC | \$101.27 | Antique Copper | Straight | 3/4" |



Flame Control Systems - Flange & Key

| SKU | MSRP | Finish |
|---------|--------|----------------|
| UDFK-PC | \$44.5 | Chrome |
| UDFK-PB | \$44.5 | Brass |
| UDFK-FB | \$44.5 | Flat Black |
| UDFK-PW | \$44.5 | Pewter |
| UDFK-AB | \$44.5 | Antique Brass |
| UDFK-AC | \$44.5 | Antique Copper |

Flame Control Systems - Key Only

| SKU | MSRP | Finish | Keys |
|----------|---------|----------------|------|
| 305-U | \$9.56 | Chrome | 3" |
| 317-8C | \$22.23 | Chrome | 8" |
| 317-12C | \$23.66 | Chrome | 12" |
| 317-18C | \$36.73 | Chrome | 18" |
| 317-24C | \$52.34 | Chrome | 24" |
| 307-U | \$9.56 | Brass | 3" |
| 317-8B | \$22.23 | Brass | 8" |
| 317-12B | \$23.66 | Brass | 12" |
| 317-18B | \$36.73 | Brass | 18" |
| 317-24B | \$52.34 | Brass | 24" |
| 317-3UFB | \$12.7 | Flat Black | 3" |
| 317-8FB | \$30.93 | Flat Black | 8" |
| 317-3UPW | \$12.7 | Pewter | 3" |
| 317-8PW | \$30.93 | Pewter | 8" |
| 317-3UAB | \$12.7 | Antique Brass | 3" |
| 317-8AB | \$30.93 | Antique Brass | 8" |
| 317-3UAC | \$12.7 | Antique Copper | 3" |
| 317-8AC | \$30.93 | Antique Copper | 8" |

Flame Control Systems - Flange Only

| SKU | MSRP | Finish |
|------|---------|--------|
| 304L | \$16.74 | Chrome |
| 306L | \$20.81 | Brass |

Flame Control Systems - FPPK Control Systems

| SKU | MSRP | BTU |
|---------|----------|------|
| FPPK-NG | \$520.44 | 140k |

This system utilizes a standing pilot (36" assembly) with thermocouple. Has flame sensing technology to safely manage the flame and gas flow. Offers manual flame height adjustment, manual switch spark igniter (battery operated), and a safety pilot valve mounted in a stainless steel box. Includes blowout box, flex line, hard pipe, and fittings.



Size: 7.5"x6.5"x2.6"

Commercial Automatic Shutoff Timers - 120VAC

| SKU | MSRP | Max Time | Description |
|----------|----------|----------|---|
| 694 | \$496.42 | 2 hours | Stainless steel rotary timer (SPDT, 20A). 1/2" deep, double gang box recommended. |
| 695 | \$540.35 | 12 hours | Stainless steel rotary timer (SPDT, 20A). 1/2" deep, double gang box recommended. |
| 694 NEMA | \$662.66 | 2 hours | NEMA 3R box kit including 694 timer + box. |
| 695 NEMA | \$720.78 | 12 hours | NEMA 3R box kit including 695 timer + box. |



694 NEMA / 695 NEMA



694 / 695

Log Lighter Burner

| SKU | MSRP | Size | Gas Type |
|-------|----------|------|----------|
| SS17N | \$128.62 | 17" | NG |
| SS17P | \$128.62 | 17" | LP |



Small LP Tank Conversion Kit

| SKU | MSRP | BTU | Description |
|--------|----------|-----|---|
| FPLP40 | \$260.79 | 40k | Includes regulator, air mixer, 12' hose with quick disconnect, shut off valve, and fittings. Min. burner size: 12" (48" t-burner) |
| FPLP90 | \$260.79 | 90k | Includes regulator, air mixer, 12' hose with quick disconnect, shut off valve, and fittings. Min. burner size: 12" (48" t-burner) |

Electronic Ignition Series Components

| SKU | MSRP | Model | Description |
|---------------------|----------|----------------|---|
| 312-SNI-24V | | HI/LO & On/Off | Silicon nitride igniter - 36" |
| 311-T/C | \$36.4 | HI/LO & On/Off | Thermocouple - 36" |
| 312-EIMOD | \$766.22 | HI/LO & On/Off | Electronic Module |
| 576-75VA | \$100.02 | HI/LO & On/Off | Transformer |
| HSIP-36SS | \$320.95 | HI/LO & On/Off | Replacement pilot assembly: 50k-275k BTU. Natural gas application. 36" |
| HSIP-36SS-300NG | \$320.95 | HI/LO & On/Off | Replacement pilot assembly: 300k BTU. Natural gas application. 36" |
| HSIP-36SS-400NG | \$320.95 | HI/LO & On/Off | Replacement pilot assembly: 400k BTU. Natural gas application. 36" |
| HSIP-36SS-50/225LP | \$320.95 | HI/LO & On/Off | Replacement pilot assembly: 50k-275k BTU. Liquid propane application. 36" |
| HSIP-36SS-250/400LP | \$320.95 | HI/LO & On/Off | Replacement pilot assembly: 250k-400k BTU. Liquid propane application. 36" |
| 311-ESTOP-3 | \$479.38 | HI/LO & On/Off | Push-button emergency shutoff. Keyed reset turns off up to 3 circuits plus one failsafe function. 600VA, 10A, rated IP65. |
| E-STOP-KEY | \$58.41 | HI/LO & On/Off | Replacement key for 311-ESTOP-3 |
| 311-PS1 | \$563.26 | HI/LO & On/Off | Power supply: 24VAC, 1 output. Input primary: 120VAC, 60/50Hz, 1A max. Output secondary: 24VAC & 12VAC, 60/50Hz, 4A. |
| 311-PS3 | \$772.3 | HI/LO & On/Off | Power supply: 24VAC, 3 outputs. Input primary: 120VAC, 60/50Hz, 1A max. Output secondary: 24VAC & 12VAC, 60/50Hz, 4A. |
| 311-PS5 | \$917.15 | HI/LO & On/Off | Power supply: 24VAC, 5 outputs. Input primary: 120VAC, 60/50Hz, 1A max. Output secondary: 24VAC & 12VAC, 60/50Hz, 4A. |
| 313-PS1 | \$560.92 | HI/LO & On/Off | Power supply: 12VAC, 1 output. Input primary: 120VAC, 60/50Hz, 1A max. Output secondary: 24VAC & 12VAC, 60/50Hz, 4A. |
| 313-PS3 | \$847.18 | HI/LO & On/Off | Power supply: 12VAC, 3 outputs. Input primary: 120VAC, 60/50Hz, 1A max. Output secondary: 24VAC & 12VAC, 60/50Hz, 4A. |
| 313-PS5 | <313- | HI/LO & On/Off | Power supply: 12VAC, 5 outputs. Input primary: 120VAC, 60/50Hz, 1A max. Output secondary: 24VAC & 12VAC, 60/50Hz, 4A. |
| 576-40VA | \$40.17 | HI/LO & On/Off | 24VAC transformer. 40VA. |
| 210-EI415 | \$263.11 | HI/LO & On/Off | Honeywell 415k valve. |
| 312-REMOTE | \$271.9 | HI/LO | Handheld remote. |
| 312-W/T | \$380.38 | HI/LO | Remote transceiver. |
| 312-ANTENNA | \$61.57 | HI/LO | Antenna. |
| 312-AB | \$32.06 | HI/LO | Antenna bracket. |
| AEK-60HI/LOW | \$107.83 | HI/LO | Antenna extension cable - 60" |
| 754-GV HI/LO | \$789.99 | HI/LO | Replacement HI/LO gas valve. |
| 754-GV ON/OFF | \$561.24 | On/Off | Replacement on/off gas valve. |
| 578-C | \$91.32 | On/Off | Remote control. |

FPK Series Components

| SKU | MSRP | Description |
|-----------|----------|--|
| FPK | \$103.15 | Spark generator, ignition, mounting plate, battery. |
| 690-AA | \$48.59 | AA spark igniter. Mounts with two screws, includes batteries. Dual ignition outlets. Replaces #690 |
| 691AA-HPC | \$46.78 | AA spark igniter. Screw-in cap holds unit in place. |
| 131 | \$23.12 | Electrode to use with spark igniter, part #130. |



Push Button Ignition Series Components

| SKU | MSRP | Description |
|------------|----------|---|
| 109-HC | \$141.4 | FPPK replacement valve. |
| 691AA-HPC | \$46.78 | Igniter switch. |
| FPPK-P36NG | \$130.06 | 36" pilot tube, T/C. Natural gas application. |
| FPPK-P36LP | \$130.06 | 36" pilot tube, T/C. Natural gas application. |
| 598HWI | <598HWI> | Blowout box. |
| 111 | \$7.2 | Black knob. |
| 902 | \$1.45 | Valve face plate nut (for 108-C valve) |
| 693 | \$56.63 | Igniter wire. |

Accessory Chart

| | Vinyl Covers | Outdoor Logs | Wind Guards | Install Collars | Lava Rock / Stone | Glass | River Rock (boxes) |
|------|--------------|--------------|-------------|-----------------|-------------------|--------|--------------------|
| Size | pg. 62 | pg. 60 | pg. 64 | pg. 67 | pg. 60 | pg. 60 | pg. 60 |

ROUND BOWL INSERTS (pg. 10)

| | | | | | | | |
|-----|--------|---------|---------|---------|--------|-----|---|
| 13" | FPC-35 | FPL18xx | WG23-RD | 1 Box | 1 Bag | 20 | 1 |
| 19" | FPC-45 | FPL18xx | WG30-RD | 1 Box | 2 Bags | 40 | 1 |
| 25" | FPC-45 | FPL18xx | WG30-RD | 1 Box | 2 Bags | 60 | 2 |
| 31" | FPC-53 | FPL18xx | WG38-RD | 1 Box | 2 Bags | 90 | 3 |
| 37" | FPC-53 | FPL30xx | WG48-RD | 2 Boxes | 4 Bags | 120 | 4 |
| 43" | FPC-64 | FPL30xx | WG48-RD | 2 Boxes | 4 Bags | 160 | 5 |

ROUND FLAT INSERTS (pg. 14)

| | | | | | | | |
|-----|--------|---------|---------|---------|--------|-----|---|
| 14" | FPC-35 | FPL18xx | WG23-RD | 1 Box | 1 Bag | 30 | 1 |
| 18" | FPC-45 | FPL18xx | WG23-RD | 1 Box | 2 Bags | 30 | 1 |
| 24" | FPC-45 | FPL18xx | WG30-RD | 1 Box | 2 Bags | 50 | 2 |
| 30" | FPC-53 | FPL18xx | WG38-RD | 2 Boxes | 2 Bags | 80 | 3 |
| 36" | FPC-53 | FPL30xx | WG38-RD | 2 Boxes | 4 Bags | 110 | 4 |
| 42" | FPC-64 | FPL30xx | WG48-RD | 2 Boxes | 4 Bags | 150 | 5 |
| 54" | FPC-76 | FPL30xx | N/A | 3 Boxes | 6 Bags | 250 | 8 |

SQUARE BOWL INSERTS (pg. 18)

| | | | | | | | |
|-----|----------|---------|---------|---------|--------|-----|---|
| 18" | FPC-48SQ | FPL18xx | WG25-SQ | 1 Box | 2 Bags | 40 | 1 |
| 24" | FPC-48SQ | FPL18xx | WG31-SQ | 2 Boxes | 2 Bags | 70 | 2 |
| 30" | FPC-60SQ | FPL18xx | WG37-SQ | 2 Boxes | 2 Bags | 110 | 3 |
| 36" | FPC-60SQ | FPL30xx | WG43-SQ | 2 Boxes | 6 Bags | 150 | 4 |
| 42" | FPC-60SQ | FPL30xx | WG49-SQ | 2 Boxes | 6 Bags | 190 | 4 |
| 42" | FPC-64 | FPL30xx | WG48-RD | 2 Boxes | 4 Bags | 150 | 5 |

SQUARE FLAT INSERTS (pg. 22)

| | | | | | | | |
|-----|----------|---------|---------|---------|--------|-----|---|
| 18" | FPC-48SQ | FPL18xx | WG25-SQ | 1 Box | 2 Bags | 40 | 1 |
| 24" | FPC-48SQ | FPL18xx | WG31-SQ | 2 Boxes | 2 Bags | 70 | 2 |
| 30" | FPC-60SQ | FPL18xx | WG37-SQ | 2 Boxes | 2 Bags | 100 | 3 |
| 36" | FPC-60SQ | FPL30xx | WG43-SQ | 2 Boxes | 6 Bags | 140 | 4 |
| 42" | FPC-60SQ | FPL30xx | WG49-SQ | 2 Boxes | 6 Bags | 190 | 4 |
| 43" | FPC-64 | FPL30xx | WG48-RD | 2 Boxes | 4 Bags | 160 | 5 |

RECTANGLE BOWL INSERTS (pg. 26)

| | | | | | | | |
|--------|------------|-------------|--------------|---------|--------|-----|---|
| 24X12" | FPC-62X30 | FPL18xx | WG31X19-RECT | 1 Box | 2 Bags | 40 | 1 |
| 30X12" | FPC-62X30 | FPL18xx | WG37X19-RECT | 1 Box | 2 Bags | 40 | 2 |
| 36X14" | FPC-78X40 | FPL30xx | WG43X21-RECT | 2 Boxes | 2 Bags | 60 | 2 |
| 42X14" | FPC-78X40 | FPL30xx | WG49X21-RECT | 2 Boxes | 2 Bags | 70 | 3 |
| 54X16" | FPC-78X40 | FPL30xx | WG61X23-RECT | 2 Boxes | 4 Bags | 100 | 3 |
| 66X16" | FPC-90X40 | FPL30xx | N/A | 2 Boxes | 6 Bags | 120 | 4 |
| 78X16" | FPC-102X40 | FPL30xx (2) | N/A | 3 Boxes | 6 Bags | 140 | 4 |
| 90X16" | FPC-114X40 | FPL30xx (2) | N/A | 3 Boxes | 8 Bags | 160 | 5 |

Accessory Chart (continued)

| | Vinyl Covers | Outdoor Logs | Wind Guards | Install Collars | Lava Rock / Stone | Glass | River Rock (boxes) |
|------|--------------|--------------|-------------|-----------------|-------------------|--------|--------------------|
| Size | pg. 62 | pg. 60 | pg. 64 | pg. 67 | pg. 60 | pg. 60 | pg. 60 |

LINEAR TROUGH INSERTS (pg. 30)

| | | | | | | | |
|-----|------------|-------------|-----------|---------|--------|----|---|
| 24" | FPC-44X30 | FPL18xx | WG31X15-L | 1 Box | 1 Bag | 20 | 1 |
| 36" | FPC-62X30 | FPL18xx | WG43X15-L | 2 Boxes | 2 Bags | 30 | 1 |
| 48" | FPC-62X30 | FPL30xx | WG55X15-L | 2 Boxes | 2 Bags | 40 | 1 |
| 60" | FPC-94X30 | FPL30xx | WG67X15-L | 2 Boxes | 2 Bags | 40 | 1 |
| 72" | FPC-94X30 | FPL30xx (2) | N/A | 2 Boxes | 2 Bags | 50 | 2 |
| 96" | FPC-130X30 | FPL30xx (3) | N/A | 2 Boxes | 2 Bags | 60 | 2 |

LINEAR INTERLINK INSERTS (pg. 34)

| | | | | | | | |
|--------|------------|-------------|-----------|---------|--------|----|---|
| 25X8" | FPC-44X30 | FPL18xx | WG31X15-L | 1 Box | 1 Bag | 20 | 1 |
| 37X8" | FPC-62X30 | FPL18xx | WG43X15-L | 2 Boxes | 2 Bags | 30 | 1 |
| 49X8" | FPC-62X30 | FPL30xx | WG55X15-L | 2 Boxes | 2 Bags | 40 | 1 |
| 61X8" | FPC-94X30 | FPL30xx | WG67X15-L | 2 Boxes | 2 Bags | 40 | 2 |
| 73X8" | FPC-94X30 | FPL30xx (2) | N/A | 2 Boxes | 4 Bags | 50 | 2 |
| 97X8" | FPC-130X30 | FPL30xx (3) | N/A | 2 Boxes | 4 Bags | 60 | 2 |
| 121X8" | FPC-130X30 | FPL30xx (3) | N/A | 3 Boxes | 6 Bags | 80 | 3 |



Outdoor Fireplace Burner, Grate, and Log Kits

| Log Style | Ignition | Size | Gas | Burner | Grate | Logs | Burner, Grate, and Log Kit | Kit MSRP |
|-----------|------------------|------|-----|--------------------------|------------|---------------|--------------------------------|-----------|
| Oak | Push-Button | 36" | NG | DBOF27PBFS-NG | SSFG/BPC22 | FPL18/24AWO9 | DBOF27PBFS-NG-AWO9 | \$1507.13 |
| Oak | Push-Button | 36" | LP | DBOF27PBFS-LP | SSFG/BPC22 | FPL18/24AWO9 | DBOF27PBFS-LP-AWO9 | \$1507.13 |
| Oak | Electronic | 36" | NG | DBOF22EI-NG/120VAC | SSFG/BPC22 | FPL18/24AWO9 | DBOF22EI-NG/120VAC-AWO9 | \$2824.14 |
| Oak | Electronic | 36" | LP | DBOF22EI-LP/120VAC | SSFG/BPC22 | FPL18/24AWO9 | DBOF22EI-LP/120VAC-AWO9 | \$2824.14 |
| Oak | Electronic-Hi/Lo | 36" | NG | DBOF22EI-HI/LO-NG/120VAC | SSFG/BPC22 | FPL18/24AWO9 | DBOF22EI-HI/LO-NG/120VAC-AWO9 | \$3367.14 |
| Oak | Electronic-Hi/Lo | 36" | LP | DBOF22EI-HI/LO-LP/120VAC | SSFG/BPC22 | FPL18/24AWO9 | DBOF22EI-HI/LO-LP/120VAC-AWO9 | \$3367.14 |
| Driftwood | Push-Button | 36" | NG | DBOF27PBFS-NG | SSFG/BPC22 | FPL18/24WD9 | DBOF27PBFS-NG-WD9 | \$1507.13 |
| Driftwood | Push-Button | 36" | LP | DBOF27PBFS-LP | SSFG/BPC22 | FPL18/24WD9 | DBOF27PBFS-LP-WD9 | \$1507.13 |
| Driftwood | Electronic | 36" | NG | DBOF22EI-NG/120VAC | SSFG/BPC22 | FPL18/24WD9 | DBOF22EI-NG/120VAC-WD9 | \$2824.14 |
| Driftwood | Electronic | 36" | LP | DBOF22EI-LP/120VAC | SSFG/BPC22 | FPL18/24WD9 | DBOF22EI-LP/120VAC-WD9 | \$2824.14 |
| Driftwood | Electronic-Hi/Lo | 36" | NG | DBOF22EI-HI/LO-NG/120VAC | SSFG/BPC22 | FPL18/24WD9 | DBOF22EI-HI/LO-NG/120VAC-WD9 | \$3367.14 |
| Driftwood | Electronic-Hi/Lo | 36" | LP | DBOF22EI-HI/LO-LP/120VAC | SSFG/BPC22 | FPL18/24WD9 | DBOF22EI-HI/LO-LP/120VAC-WD9 | \$3367.13 |
| Birch | Push-Button | 36" | NG | DBOF27PBFS-NG | SSFG/BPC22 | FPL18/24AB9 | DBOF27PBFS-NG-AB9 | \$1507.13 |
| Birch | Push-Button | 36" | LP | DBOF27PBFS-LP | SSFG/BPC22 | FPL18/24AB9 | DBOF27PBFS-LP-AB9 | \$1507.13 |
| Birch | Electronic | 36" | NG | DBOF22EI-NG/120VAC | SSFG/BPC22 | FPL18/24AB9 | DBOF22EI-NG/120VAC-AB9 | \$2824.14 |
| Birch | Electronic | 36" | LP | DBOF22EI-LP/120VAC | SSFG/BPC22 | FPL18/24AB9 | DBOF22EI-LP/120VAC-AB9 | \$2824.14 |
| Birch | Electronic-Hi/Lo | 36" | NG | DBOF22EI-HI/LO-NG/120VAC | SSFG/BPC22 | FPL18/24AB9 | DBOF22EI-HI/LO-NG/120VAC-AB9 | \$3367.14 |
| Birch | Electronic-Hi/Lo | 36" | LP | DBOF22EI-HI/LO-LP/120VAC | SSFG/BPC22 | FPL18/24AB9 | DBOF22EI-HI/LO-LP/120VAC-AB9 | \$3367.14 |
| Oak | Push-Button | 42" | NG | DBOF33PBFS-NG | SSFG/BPC28 | FPL30/36AWO16 | DBOF33PBFS-NG-AWO16 | \$2050.12 |
| Oak | Push-Button | 42" | LP | DBOF33PBFS-LP | SSFG/BPC28 | FPL30/36AWO16 | DBOF33PBFS-LP-AWO16 | \$2050.12 |
| Oak | Electronic | 42" | NG | DBOF28EI-NG/120VAC | SSFG/BPC28 | FPL30/36AWO16 | DBOF28EI-NG/120VAC-AWO16 | \$3367.14 |
| Oak | Electronic | 42" | LP | DBOF28EI-LP/120VAC | SSFG/BPC28 | FPL30/36AWO16 | DBOF28EI-LP/120VAC-AWO16 | \$3367.14 |
| Oak | Electronic-Hi/Lo | 42" | NG | DBOF28EI-HI/LO-NG/120VAC | SSFG/BPC28 | FPL30/36AWO16 | DBOF28EI-HI/LO-NG/120VAC-AWO16 | \$3896.73 |
| Oak | Electronic-Hi/Lo | 42" | LP | DBOF28EI-HI/LO-LP/120VAC | SSFG/BPC28 | FPL30/36AWO16 | DBOF28EI-HI/LO-LP/120VAC-AWO16 | \$3896.73 |
| Driftwood | Push-Button | 42" | NG | DBOF33PBFS-NG | SSFG/BPC28 | FPL30/36WD16 | DBOF33PBFS-NG-WD16 | \$2050.12 |
| Driftwood | Push-Button | 42" | LP | DBOF33PBFS-LP | SSFG/BPC28 | FPL30/36WD16 | DBOF33PBFS-LP-WD16 | \$2050.12 |
| Driftwood | Electronic | 42" | NG | DBOF28EI-NG/120VAC | SSFG/BPC28 | FPL30/36WD16 | DBOF28EI-NG/120VAC-WD16 | \$3367.14 |
| Driftwood | Electronic | 42" | LP | DBOF28EI-LP/120VAC | SSFG/BPC28 | FPL30/36WD16 | DBOF28EI-LP/120VAC-WD16 | \$3367.14 |
| Driftwood | Electronic-Hi/Lo | 42" | NG | DBOF28EI-HI/LO-NG/120VAC | SSFG/BPC28 | FPL30/36WD16 | DBOF28EI-HI/LO-NG/120VAC-WD16 | \$3896.73 |
| Driftwood | Electronic-Hi/Lo | 42" | LP | DBOF28EI-HI/LO-LP/120VAC | SSFG/BPC28 | FPL30/36WD16 | DBOF28EI-HI/LO-LP/120VAC-WD16 | \$3896.73 |
| Birch | PB | 42" | NG | DBOF33PBFS-NG | SSFG/BPC28 | FPL30/36AB16 | DBOF33PBFS-NG-AB16 | \$2050.12 |
| Birch | PB | 42" | LP | DBOF33PBFS-LP | SSFG/BPC28 | FPL30/36AB16 | DBOF33PBFS-LP-AB16 | \$2050.12 |
| Birch | Electronic | 42" | NG | DBOF28EI-NG/120VAC | SSFG/BPC28 | FPL30/36AB16 | DBOF28EI-NG/120VAC-AB16 | \$3367.14 |
| Birch | Electronic | 42" | LP | DBOF28EI-LP/120VAC | SSFG/BPC28 | FPL30/36AB16 | DBOF28EI-LP/120VAC-AB16 | \$3367.14 |
| Birch | Electronic-Hi/Lo | 42" | NG | DBOF28EI-HI/LO-NG/120VAC | SSFG/BPC28 | FPL30/36AB16 | DBOF28EI-HI/LO-NG/120VAC-AB16 | \$3896.73 |
| Birch | Electronic-Hi/Lo | 42" | LP | DBOF28EI-HI/LO-LP/120VAC | SSFG/BPC28 | FPL30/36AB16 | DBOF28EI-HI/LO-LP/120VAC-AB16 | \$3896.73 |



KITCHEN ISLANDS

OUTDOOR LIVING AND DINING

In 2023, HPC Fire Inspired purchased Galaxy Outdoor in Las Vegas, NV. Now, under the HPC mantle, we are excited to offer custom-made (and prefabricated) outdoor kitchen islands. From consultation to design, our experts will ensure your dream becomes a reality-- and we can ship that dream all over the United States.



BENEFITS

- Completely customizable outdoor kitchen islands
- Constructed of durable materials
- Provides space for entertaining as well as food preparation

FEATURES

- Appliances
- Storage
- Refrigeration and freezing
- Trash disposal
- Electrical outlets
- And more

SPECIFICATIONS

- Steel-reinforced backing boards
- Tiles, granite, stone, wood, and more are available!

STOCK ISLANDS

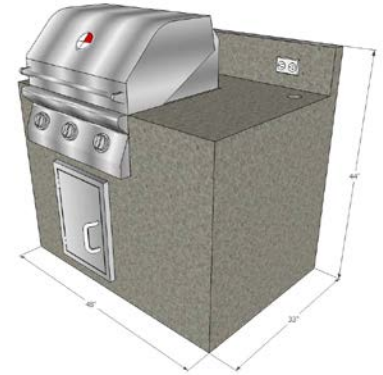
These prefabricated islands are plug and play. These are some of the most common and popular island designs and can be finished with any material and can accommodate a variety of appliance brands. They all offer some combination of grill, storage, and prep space. Note: finished islands available in Las Vegas area only.

Can't find what you're looking for? Check the next page for custom options.



The Defiant

A 6' straight island with a 5' raised bar on the right side.



The Atom

A 4' outdoor kitchen.



The Arc

A 6' by 5' outdoor kitchen.



The Satellite

A 5' outdoor kitchen.



The Ion

A 6' outdoor kitchen with more countertop space than the Atom or Satellite.





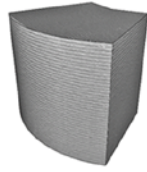
CUSTOM ISLANDS

Our kitchen islands are also available as custom designs. Our team can help you visualize and design the perfect compliment to your outdoor living space. See our wide variety of custom island components and finishing materials to start planning your dream kitchen today! Note: finished islands only available in Las Vegas area.

Custom Options



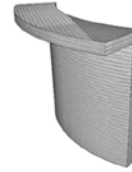
Straight Cabinet
(36" H x 33" D)



Straight Cabinet (Curved)
(36" H x 33" D)



Raised Bar
(42" H x 2-1/2" Wall x 12" Overhang)



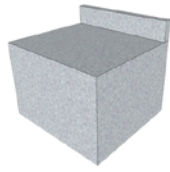
Raised Bar (Curved)
(42" H x 2-1/2" Wall x 12" Overhang)



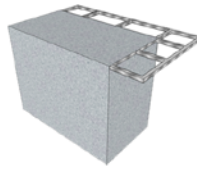
Backsplash Wall
(42" H x 2" Wall)



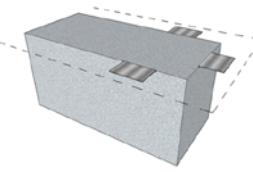
Backsplash Wall (Curved)
(42" H x 2" Wall)



Backsplash Add-on
(6" H x 2" Wall)



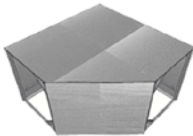
Counter Bar Ext.
(12" W x 3" H)



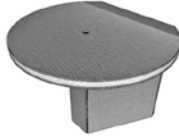
Counter Bar Tabs
(16" W x 10" L)



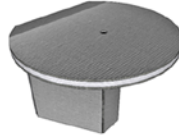
Foot Rest
(8" H x 8" D)



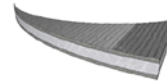
Corner Cabinet
(60" W x 60" D)



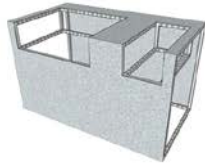
36" Height Table End (Counter-Height)
(42" W x 48" D x 36" H)



42" Height Table End (Bar-Height)
(42" W x 48" D x 42" H)



Bar/Table Connector
(14" L x 3" D)



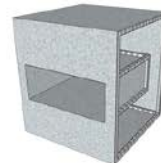
Grill or Sideburner cut-out



Door or Drawer cut-out



Refrigerator cut-out



Custom enclosed cut-out



Custom Column cut-out

Custom Finishes - LAS VEGAS ONLY



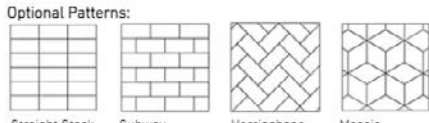
Santa Cecilia Ashen White New Caledonia Silicon Gold



Wood Grain Porcelain Concrete Gray Mannington Cambridge Dark Mix Mosaic



Flat Edge Beveled Edge Half-Bull nose Edge Chiseled edge



Straight Stack Subway Herringbone Mosaic



Calima Flats Artic White Gold Rush Charcoal Rust Classic (Receded) Classic (Smooth) Epic (Receded) Epic (Smooth) Manor White Buckskin Sandpebble Honey Twist



FORNO DE PIZZA

OUTDOOR LIVING AND DINING

HPC's handmade pizza oven, designed by Hugo Laranja. This glass mosaic-tiled refractory oven is beautiful, durable, and can efficiently cook, smoke, and bake.

Installation Considerations

- Determine application: for general use, use in an outdoor kitchen countertop, or as a freestanding, built-in structure
- Ensure access to natural gas line unless using liquid propane. If using LP, consider where you will place your tank



BENEFITS

- Beautiful, handcrafted oven made with glass mosaic tiles
- Great diversity of meals can be prepared, as with any oven
- Cart with wheels for easy transportation (on select models)

FEATURES

- Dual-fuel system allows for use of gas and wood simultaneously
- Many tile options, including custom colors
- Electronic ignition system

SPECIFICATIONS

- Oven made of refractory concrete, able to safely withstand 2400 degrees fahrenheit
- 304 Stainless steel hearth
- Cart made with cedar wood

Forno Series - Forno de Pizza

| Tile Color | SKU | MSRP |
|--------------|------------------------|--------|
| Ocean Blue | FDP-FORNO/OB-EI-NG | \$6499 |
| Pool Blue | FDP-FORNO/PB-EI-NG | \$6499 |
| - | - | - |
| Black Onyx | FDP-FORNO/BLX-EI-NG | \$6499 |
| Retro | FDP-FORNO/RETRO-EI-NG | \$6499 |
| Copper | FDP-FORNO/COPPER-EI-NG | \$6499 |
| Custom Color | FDP-FORNO/CUSTOM-EI-NG | \$7499 |

AN OVEN FOR THE FOOD ENTHUSIAST

The Forno de Pizza hybrid oven was founded on the belief that some of our best experiences in life are spent with our friends and family. Cooking together with fire brings a powerful connection to the foods you're sharing. The Forno de Pizza honors timeless styling cues from ancient Greece while marrying it with modern conveniences. Designed to cook more than just pizza, the Forno is an oven for the food enthusiast.

The Forno Series is a portable, dual-fuel oven that can be easily transported thanks to its stainless steel cart. Its classic igloo design inspired the brand itself and makes for the most effective cooking possible. Operating on an electronic ignition system, this oven can efficiently burn natural gas, propane, or wood (and you can burn gas and wood at the same time for maximum heat). Six different glass colors are available to complement your outdoor living space.

BEHIND THE BRAND

The Forno design is not new-- in fact, it's ancient. The igloo-shaped oven has been used for thousands of years, embracing the three key methods of heating all in one place: conduction, convection, and radiant heat. The flame heats the hearth stone, the heat is circulated in its igloo shape, and the walls itself heat up to radiate even more cooking power onto the user's food.

NEED INSPIRATION?

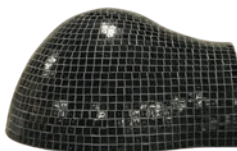
Find recipes, guides, and more online at hpcfire.com/forno-videos prepared by the creator of the Forno de Pizza, Hugo Laranja.



Ocean Blue



Pool Blue



Black Onyx



Retro



Copper





Need LP Models?

Change "NG" to "LP" in SKU for liquid propane applications

Villa Series - Forno de Pizza

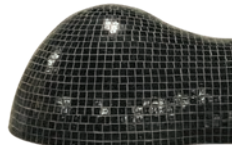
| Tile Color | SKU | MSRP |
|--------------|------------------------|--------|
| Ocean Blue | FDP-VILLA/OB-EI-NG | \$5799 |
| Pool Blue | FDP-VILLA/PB-EI-NG | \$5799 |
| - | - | - |
| Black Onyx | FDP-VILLA/BLX-EI-NG | \$5799 |
| Retro | FDP-VILLA/RETRO-EI-NG | \$5799 |
| Copper | FDP-VILLA/COPPER-EI-NG | \$5799 |
| Custom Color | FDP-VILLA/CUSTOM-EI-NG | \$6799 |



Ocean Blue



Pool Blue



Black Onyx



Retro



Copper

A BUILT-IN OVEN

The Villa series (pictured on opposing page) Forno de Pizza is just a hearth and an oven (no cart, unlike the Forno series), designed to sit in your outdoor kitchen countertop. This choice gives you the freedom to create your space the way you want. Pair the Villa with wood storage, a fridge for ingredients, and a countertop food prep space and your outdoor kitchen will be the talk of the neighborhood.

NEED INSPIRATION?

Find recipes, guides, and more online at hpcfire.com/forno-videos prepared by the creator of the Forno de Pizza, Hugo Laranja.



DiNapoli Series - Forno de Pizza

| Tile Color | SKU | MSRP |
|-----------------|------------------------|--------|
| Ready-To-Finish | FDP-DINAPOLI/RTF-EI-NG | \$5599 |

DIY OVEN ENCLOSURE

The DiNapoli series oven is for anyone who wants a more classic pizza oven experience. This model is just the oven with a chimney, designed to be built into a brick or stone stack. It makes a great DIY project for anyone who wants to get their hands dirty and offers consumers the ability to more carefully curate their aesthetic.





Menu board with handwritten text, including 'Pizzeria' and 'Menu'.

Menu board with handwritten text, including 'Pizzeria' and 'Menu'.

Menu board with handwritten text, including 'Pizzeria' and 'Menu'.

Menu board with handwritten text, including 'Pizzeria' and 'Menu'.

Menu board with handwritten text, including 'Pizzeria' and 'Menu'.

TOMATOES IN JUICE
NET WT. 28 OZ
11 LB 12 OZ 794g

TOMATOES IN SAUCE
NET WT. 28 OZ
11 LB 12 OZ 794g

Oven Accessories - Forno de Pizza

| Accessory | SKU | MSRP |
|------------------------------|--------------------------|-------|
| Infrared Thermometer | FDP-INFRA-RED GUN | \$54 |
| Door w/ Internal Thermometer | FDP-DOOR | \$398 |
| Grill Rack | FDP-GRILL RACK | \$110 |
| Utensil Holder | FDP-HOLDER | \$50 |
| Brush | FDP-BRUSH | \$29 |
| Pan Peel | FDP-ALUM PEEL | \$27 |
| Wooden Paddle | FDP-WOODEN PADDLE | \$38 |
| Pizza Plate | FDP-PANS | \$21 |
| Dough Sheets | FDP-DOUGH ROLLING SHEETS | \$14 |
| Accessory Kit | FDP-ACCESSORY KIT | \$155 |

ACCESSORY KIT

Includes utensil holder, brush, wooden paddle, aluminum pans (2), aluminum peel, and dough rolling sheets (2).



FDP-ACCESSORY KIT



INFRARED THERMOMETER

FDP-INFRA-RED GUN
\$54



DOOR WITH THERMOMETER

FDP-DOOR
\$398



GRILL RACK

FDP-GRILL RACK
\$110



UTENSIL HOLDER

FDP-HOLD HOLDER
\$50



BRUSH

FDP-BRUSH
\$29



PAN PEEL

FDP-ALUM PEEL
\$27



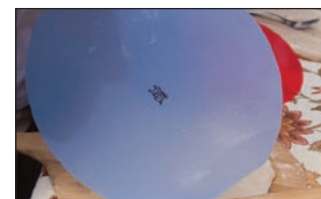
WOODEN PADDLES

FDP-WOOD PADDLE
\$38



PIZZA PLATES

FDP-PANS
\$21



DOUGH SHEETS

FDP-DOUGH ROLLING SHEETS
\$14

Vinyl Covers - Forno de Pizza

| Oven Type | SKU | MSRP |
|-----------|-----------------|-------|
| Forno | FDP-COVER-FORNO | \$536 |
| Villa | FDP-COVER-VILLA | \$322 |

COVERS THAT LAST

The perfect tool for keeping your Forno de Pizza protected from the elements, these vinyl covers are designed to be weather and UV resistant. It resembles those that are commonly used on grills.



FORNO COVER

FDP-COVER-FORNO
\$536



VILLA COVER

FDP-COVER-VILLA
\$322

DRUM SMOKER

OUTDOOR LIVING AND DINING

HPC's brand new stainless steel drum smoker. Utilizing patented Vortex technology, the drum smoker is designed to produce optimal cooking conditions while accommodating large quantities of food.



BENEFITS

- Powerful smoking technology allows for great meals every time
- Wheels for convenient transportation, plus wheel lock

FEATURES

- Dual vane intake system
- Patented Vortex technology for optimal air flow
- Two rack structure for cooking more food

SPECIFICATIONS

- Composed of 304 stainless steel

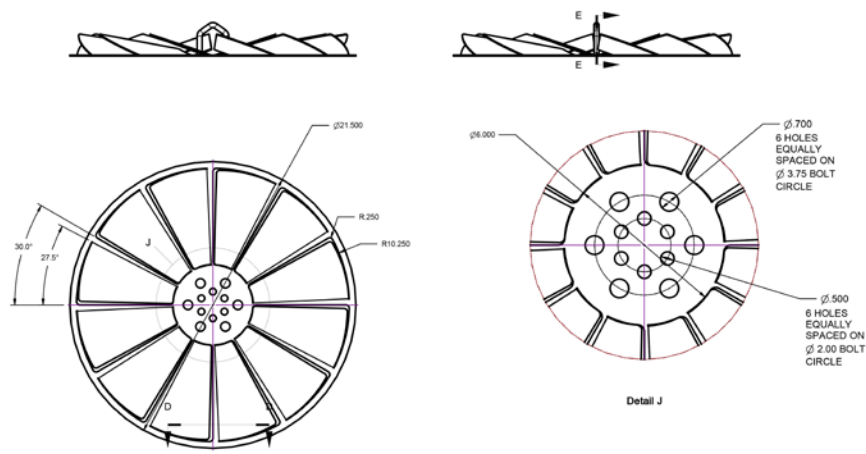
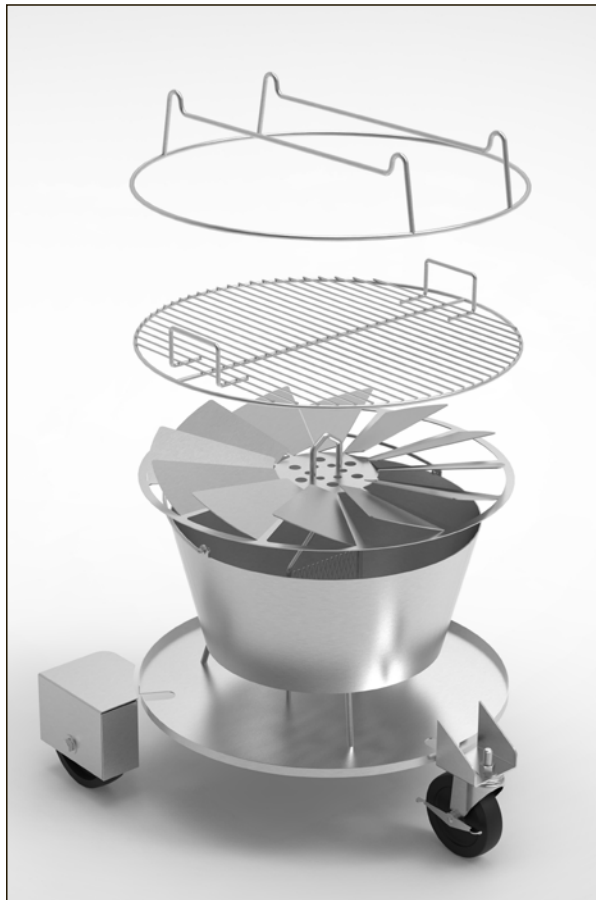
Stainless Steel Drum Smoker

| SKU | MSRP |
|--------|-----------|
| DS-SST | \$1990.57 |

ONE OF A KIND TECHNOLOGY

The HPC Fire Inspired Stainless Steel Drum Smoker utilizes patented vortex technology to evenly smoke and cook food to perfection. Its unique design also maintains temperature better and burns wood more efficiently than competing smokers, allowing for up to an 18 hour cook time on one bag of lump charcoal. Furthermore, its tall, cylindrical design allows its user to smoke multiple food items, employing a two-rack internal structure.

Vortex technology is characterized by a dual intake vane system. The side intake tubes bring air in, the interior vanes distribute the air, and it exits through the exhaust on top, allowing for a delicious, evenly cooked meal every time.



Looking for our indoor fireplace component catalog?
It's online! Scan the QR code here to see it.



Install Confidence™



FIRE INSPIRED™